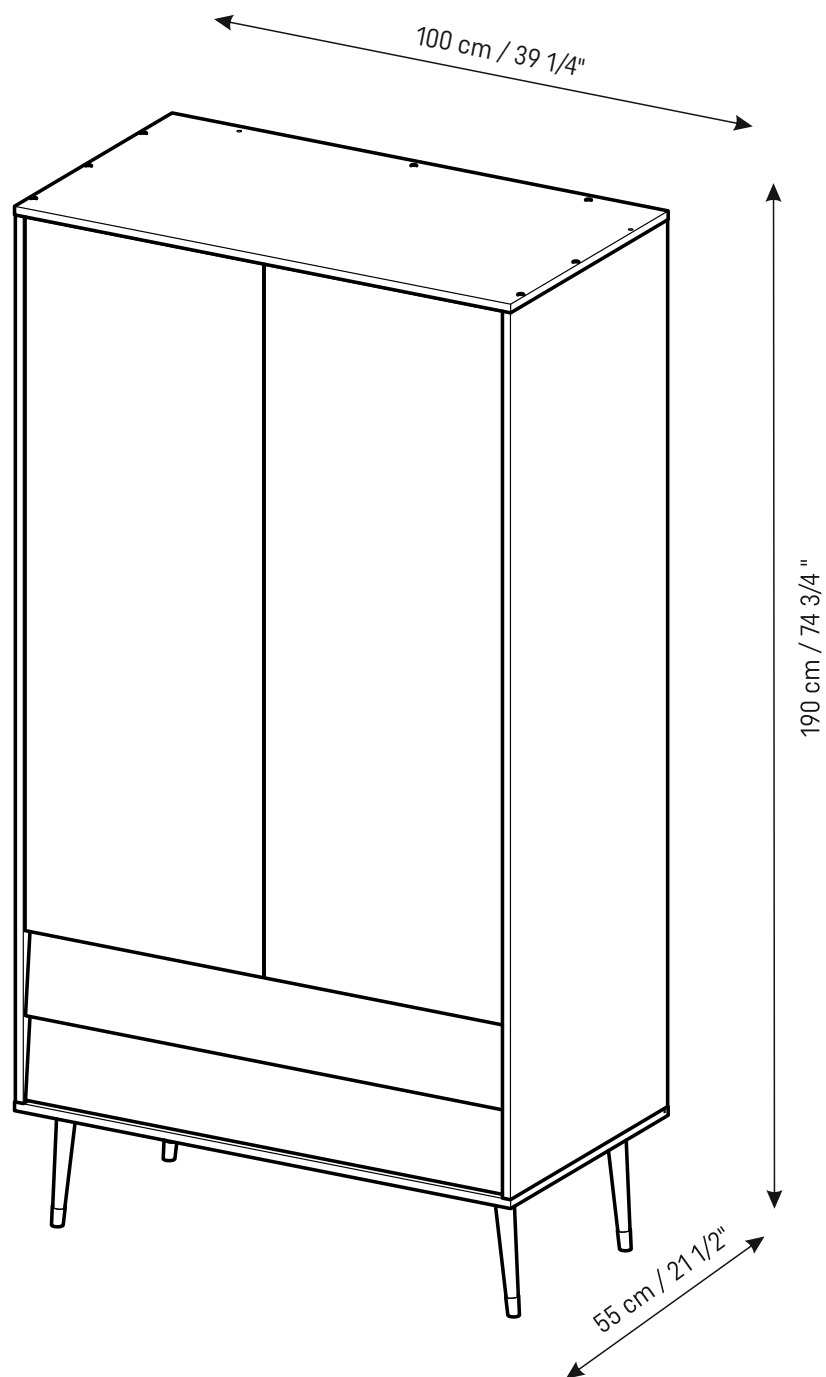


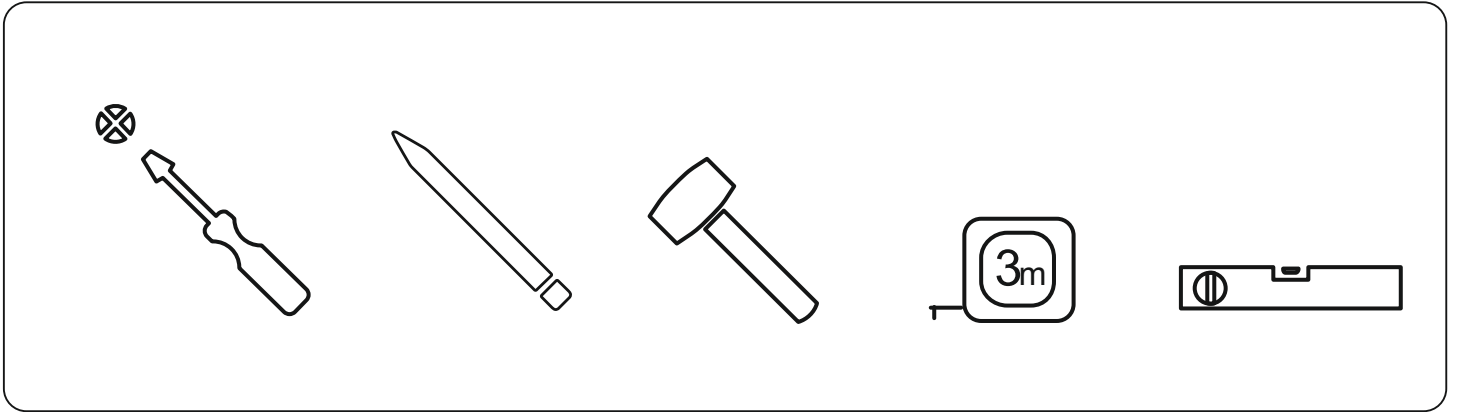
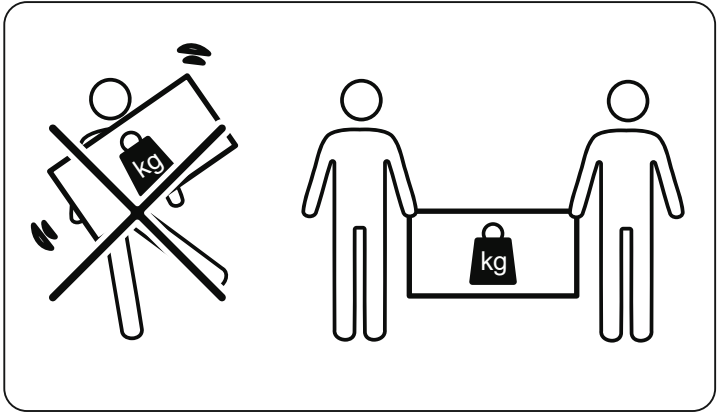
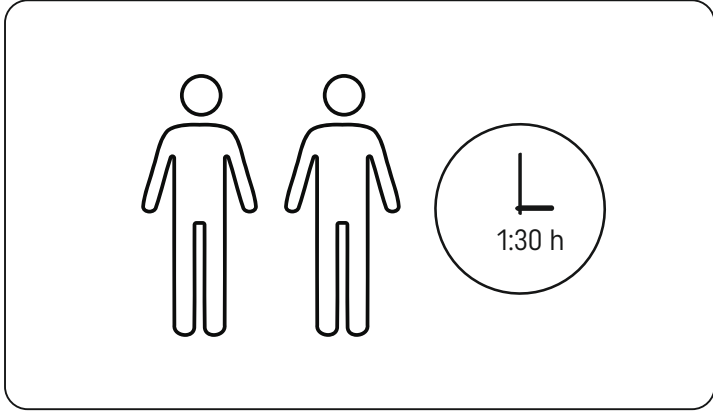
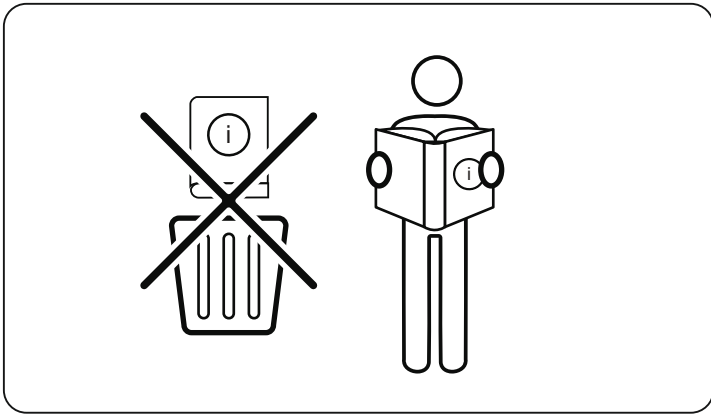
BOSQUE

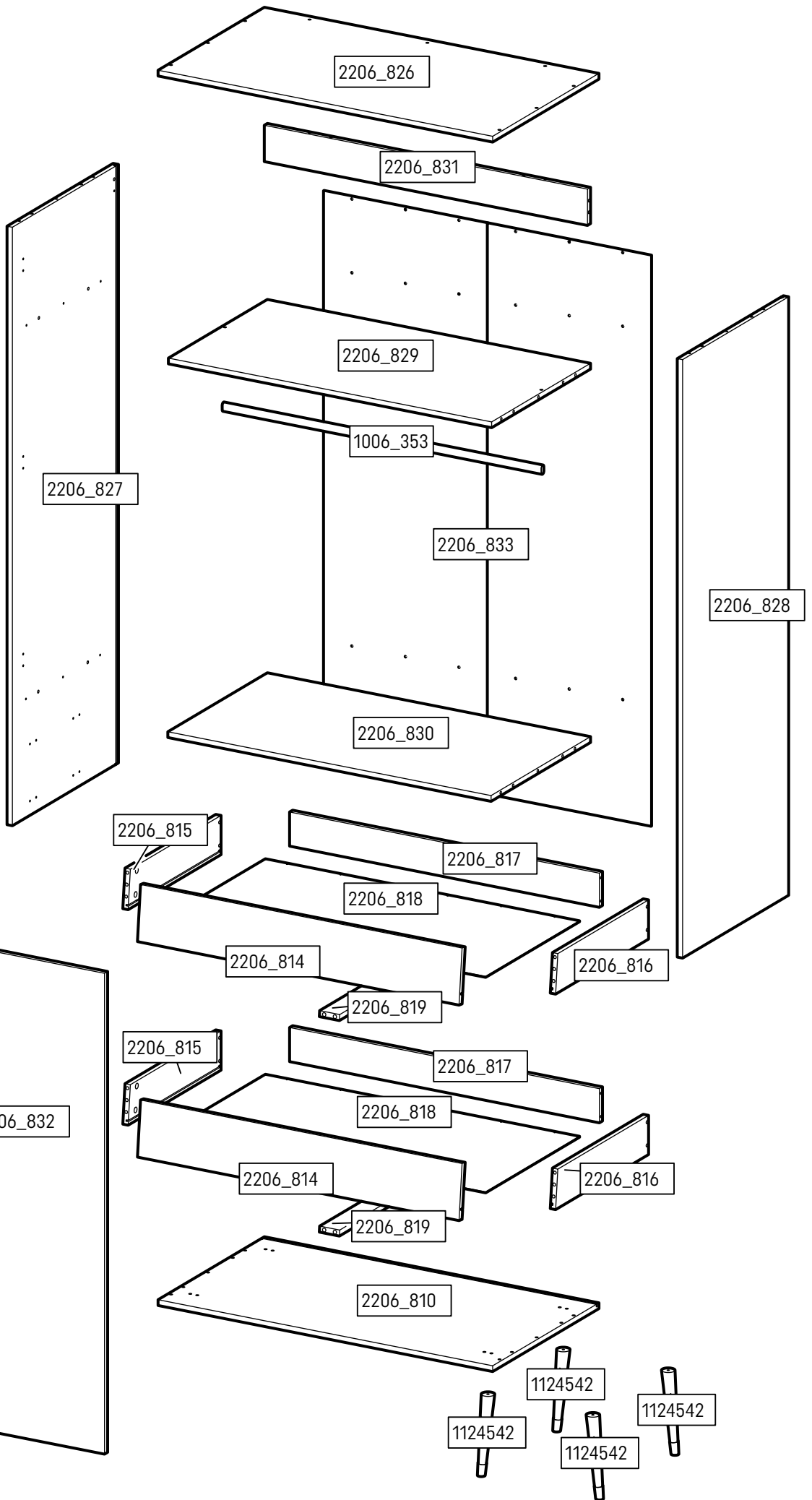
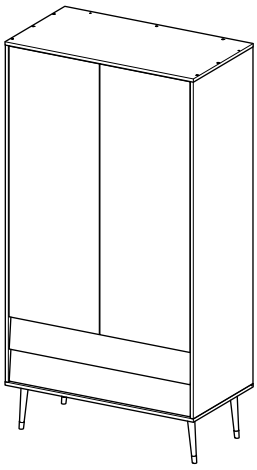
4020664_002


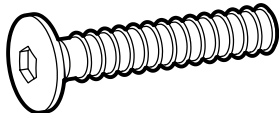
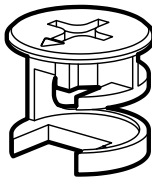

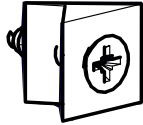
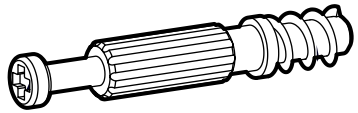
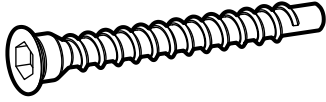


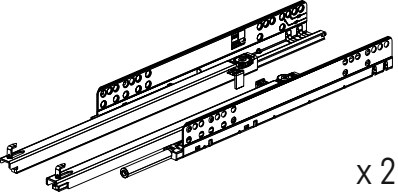

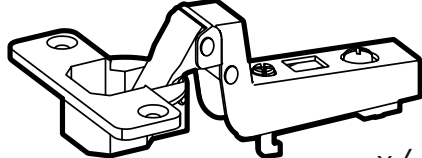
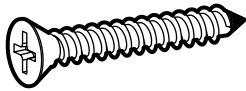
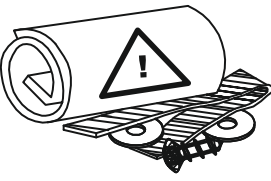
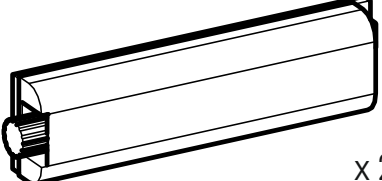
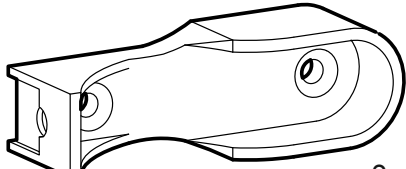
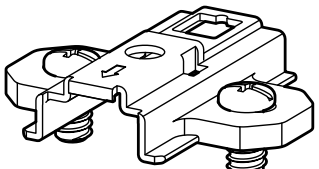
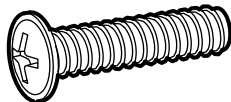


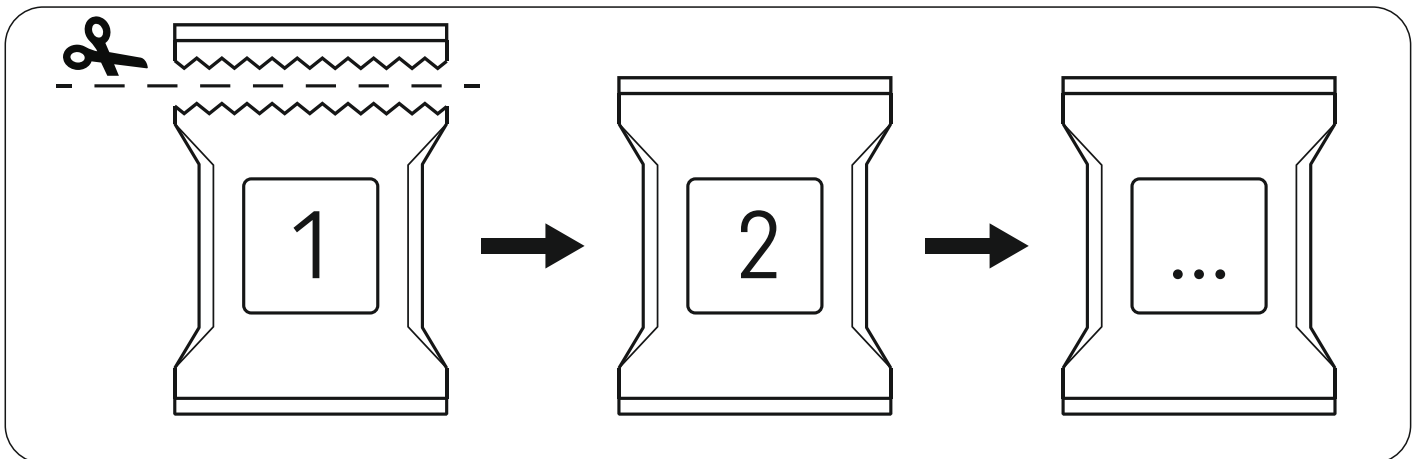
PL • vox.pl
EU • voxfurniture.com
US • voelkelcorp.com

Meble VOX sp. z o.o. sp. k.
ul. Gdyńska 143
62-004 Czerwonak

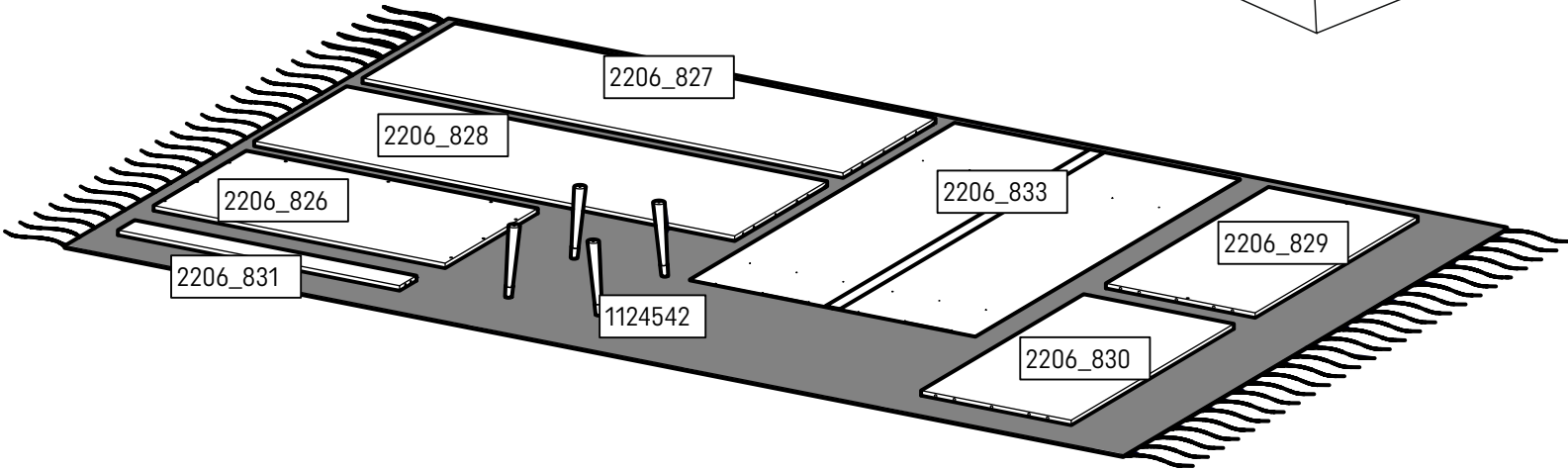
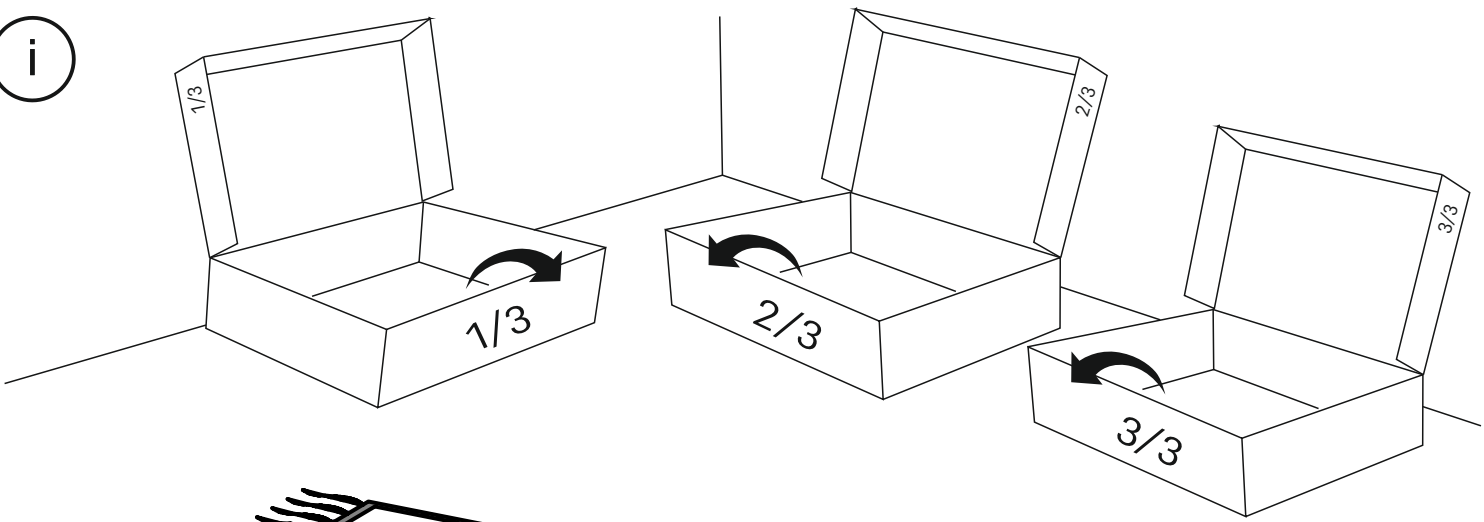




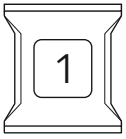
1000806  x 1	1005740  x 8	1005367  x 26
1005681  x 16	1006022  x 10	1006091  x 26
1005876  x 23	1005857  x 24	1006012  x 30
1128616  x 2	1005713  x 16	1104028  x 6
1006024  x 4	1000893  x 1	1107731  x 2
1000225  x 2	1103814  x 6	1110778  x 2



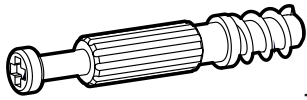
i



1

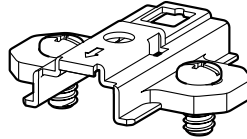


1006091



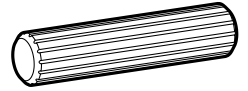
x7

1103814

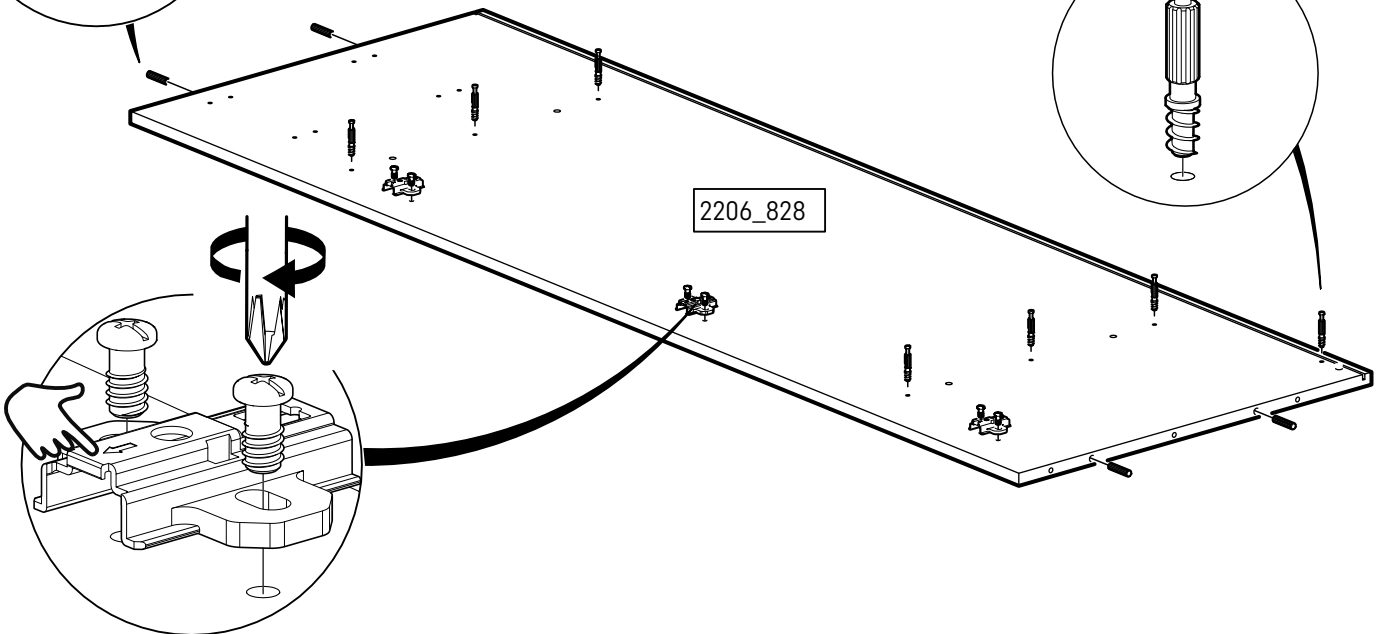
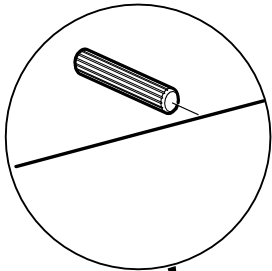


x3

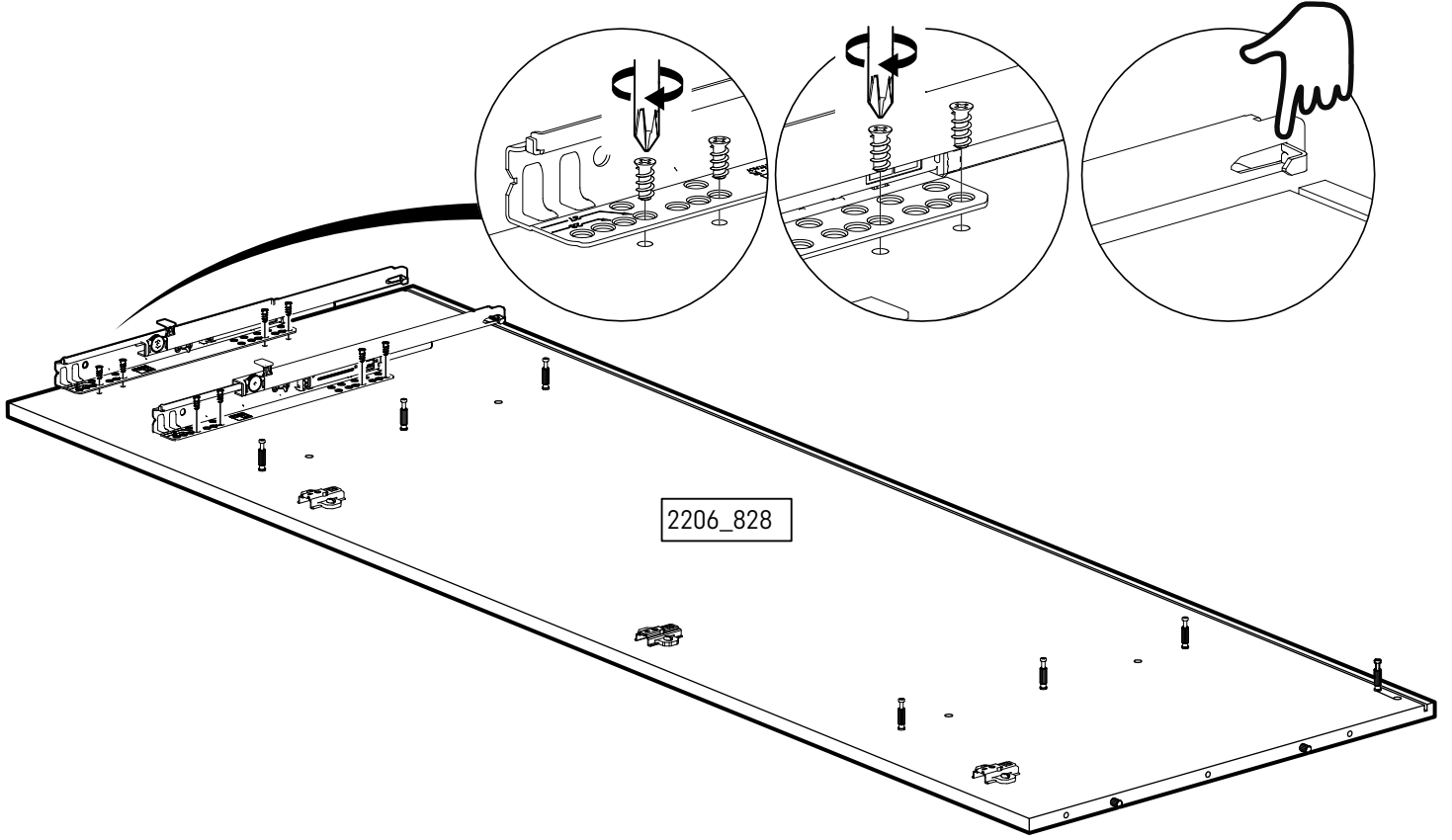
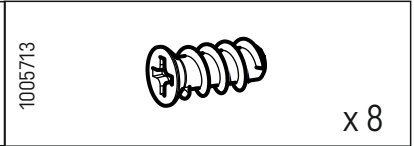
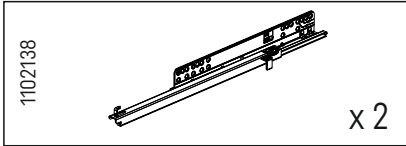
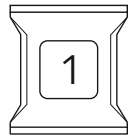
1005857



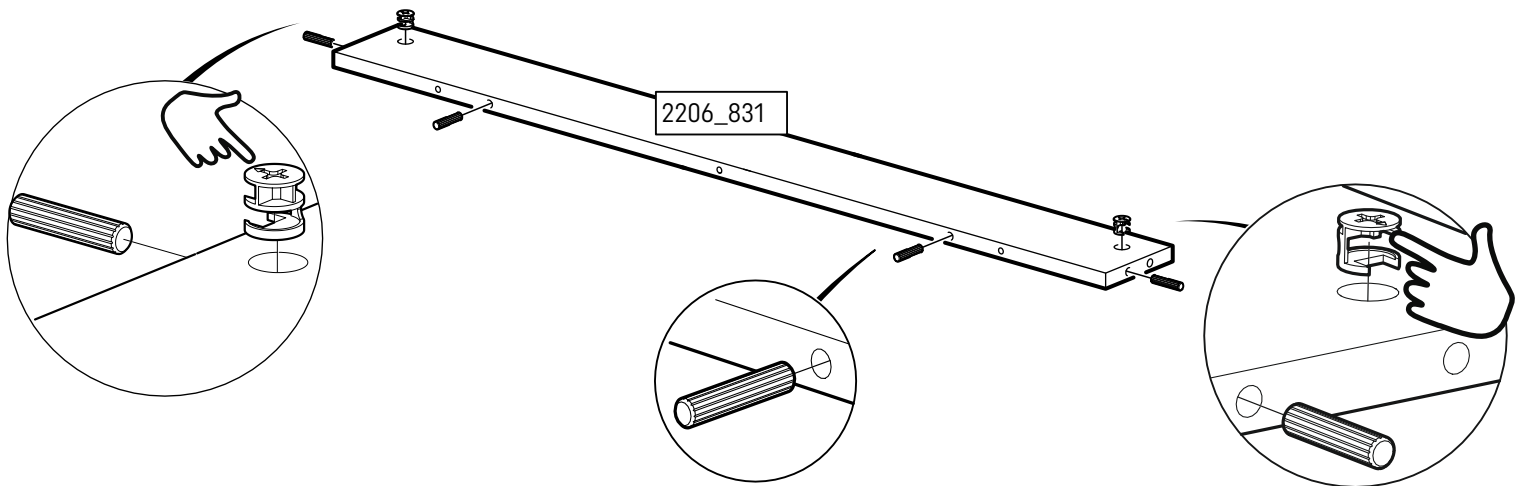
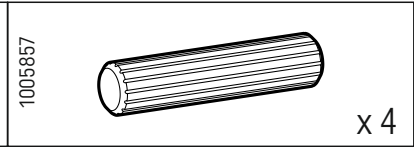
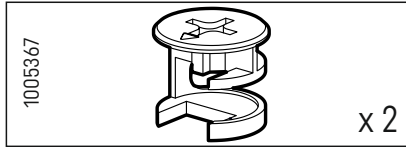
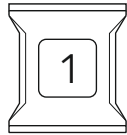
x4



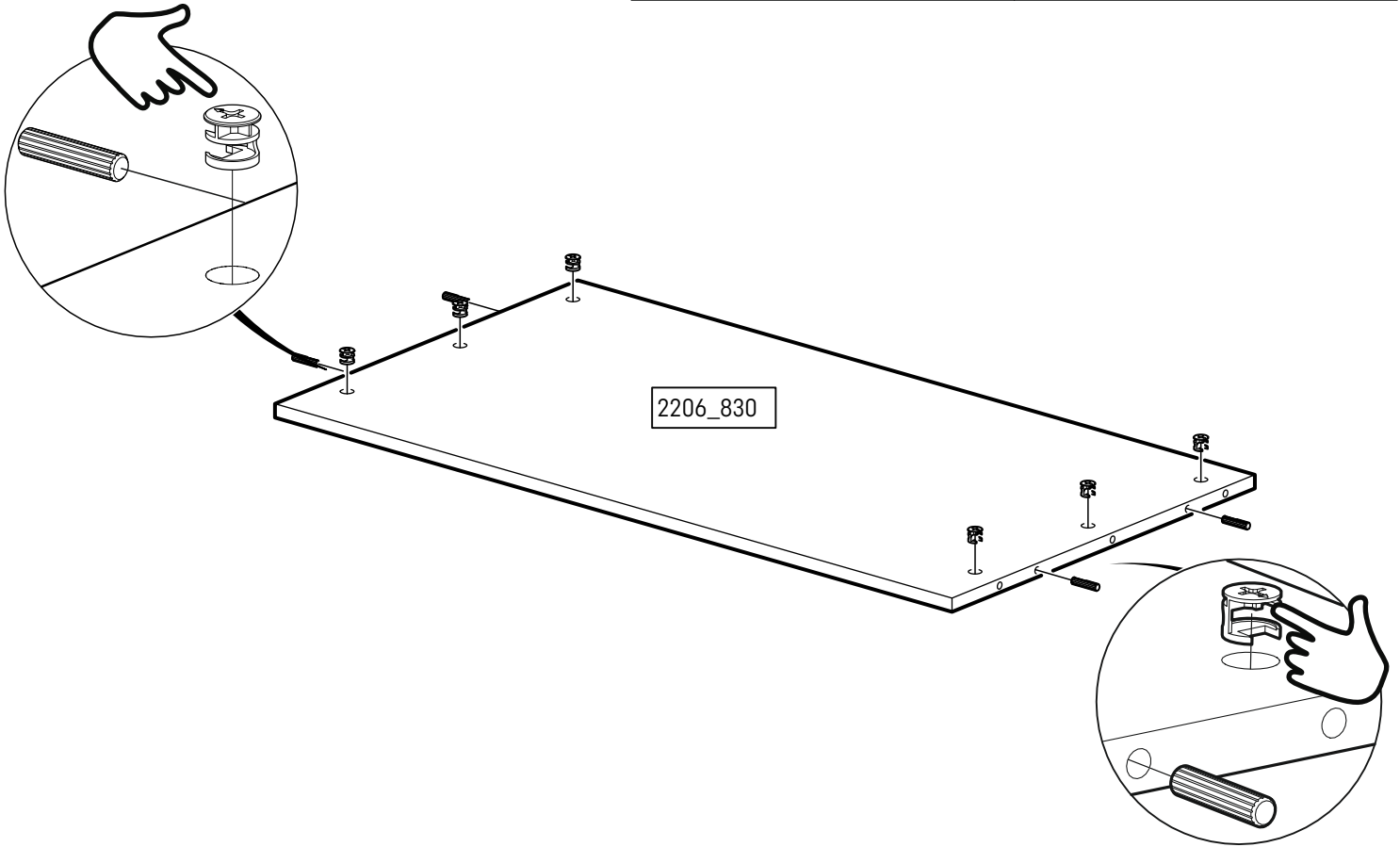
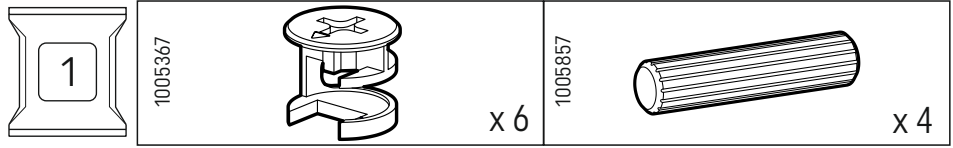
2



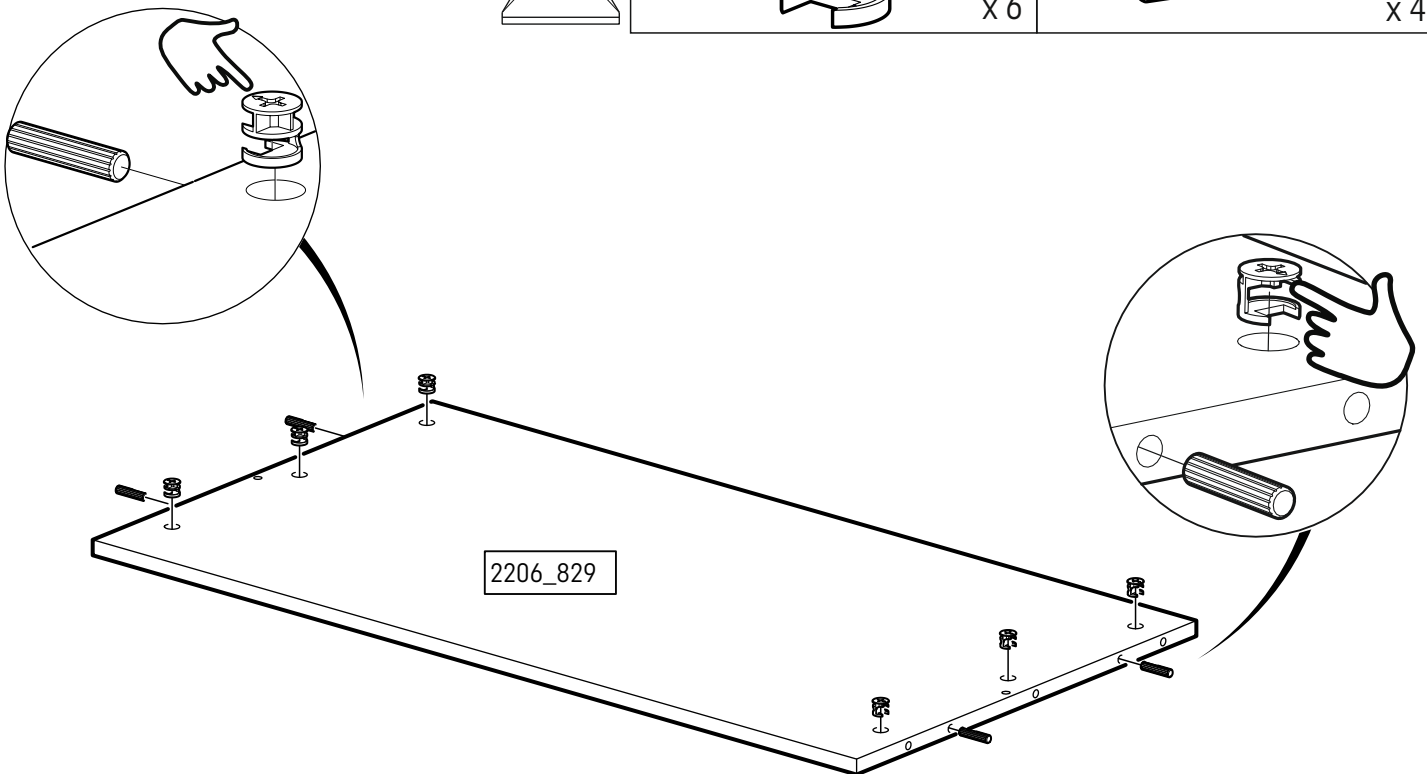
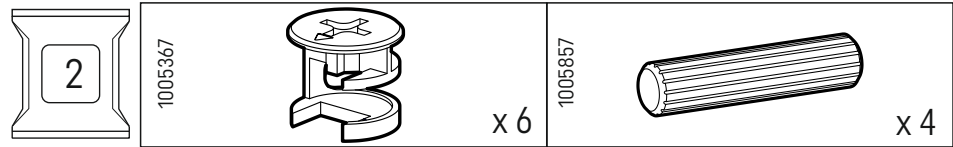
3

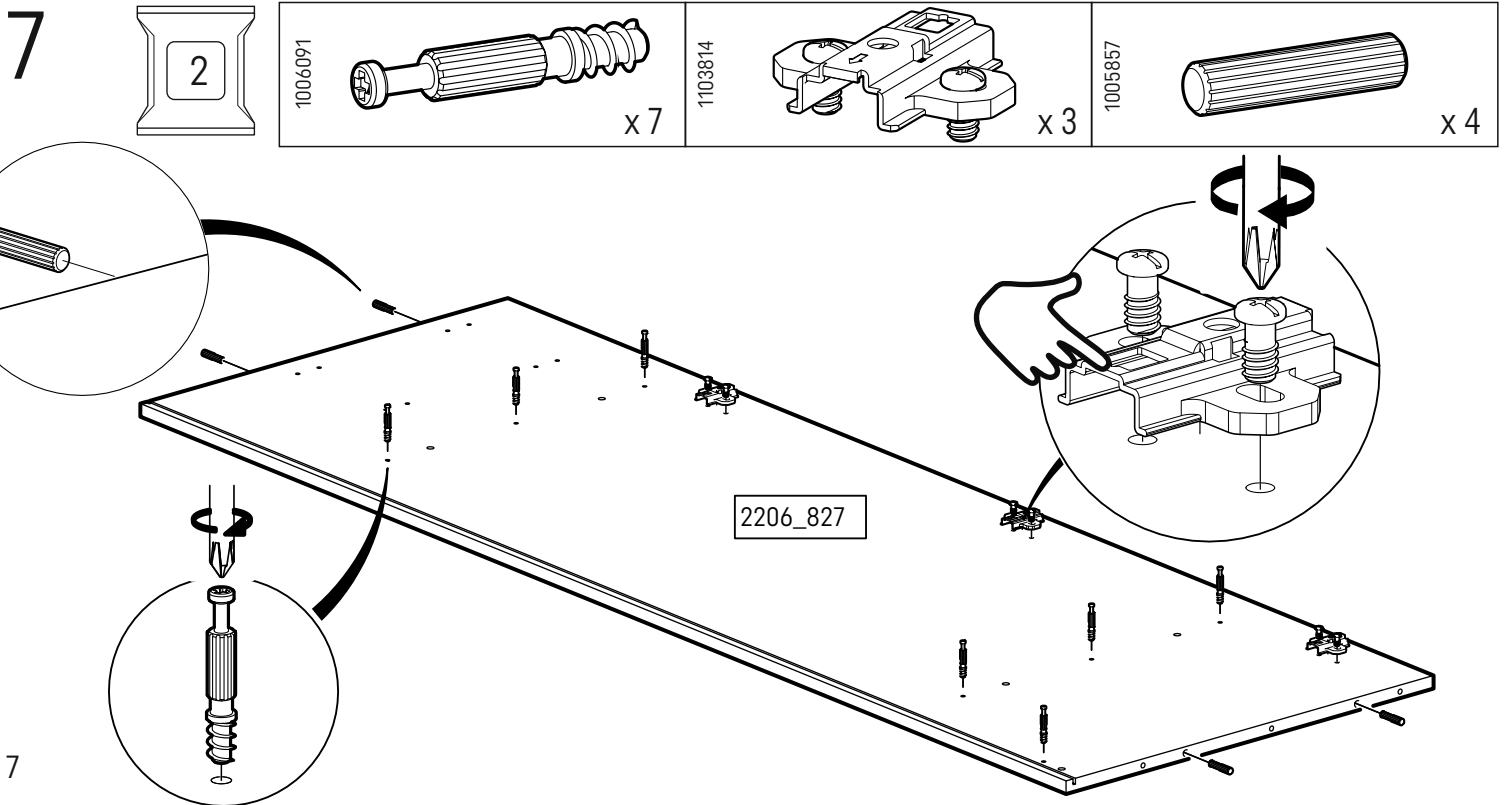
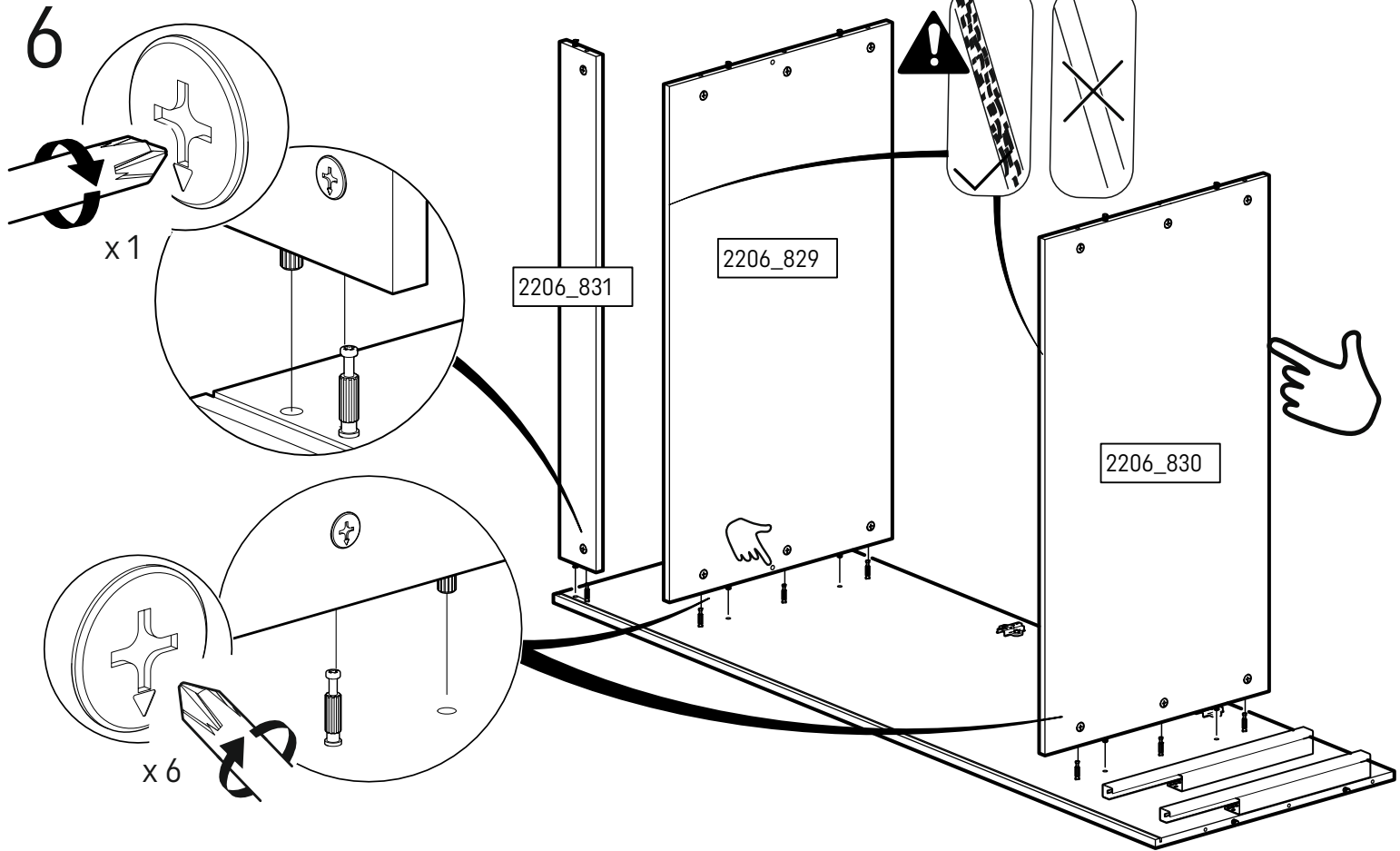
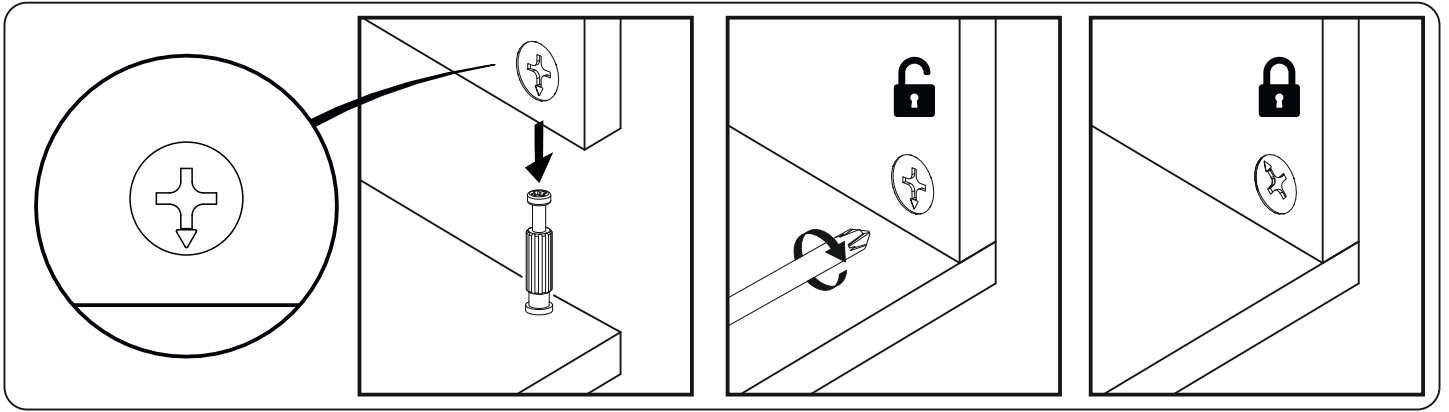


4

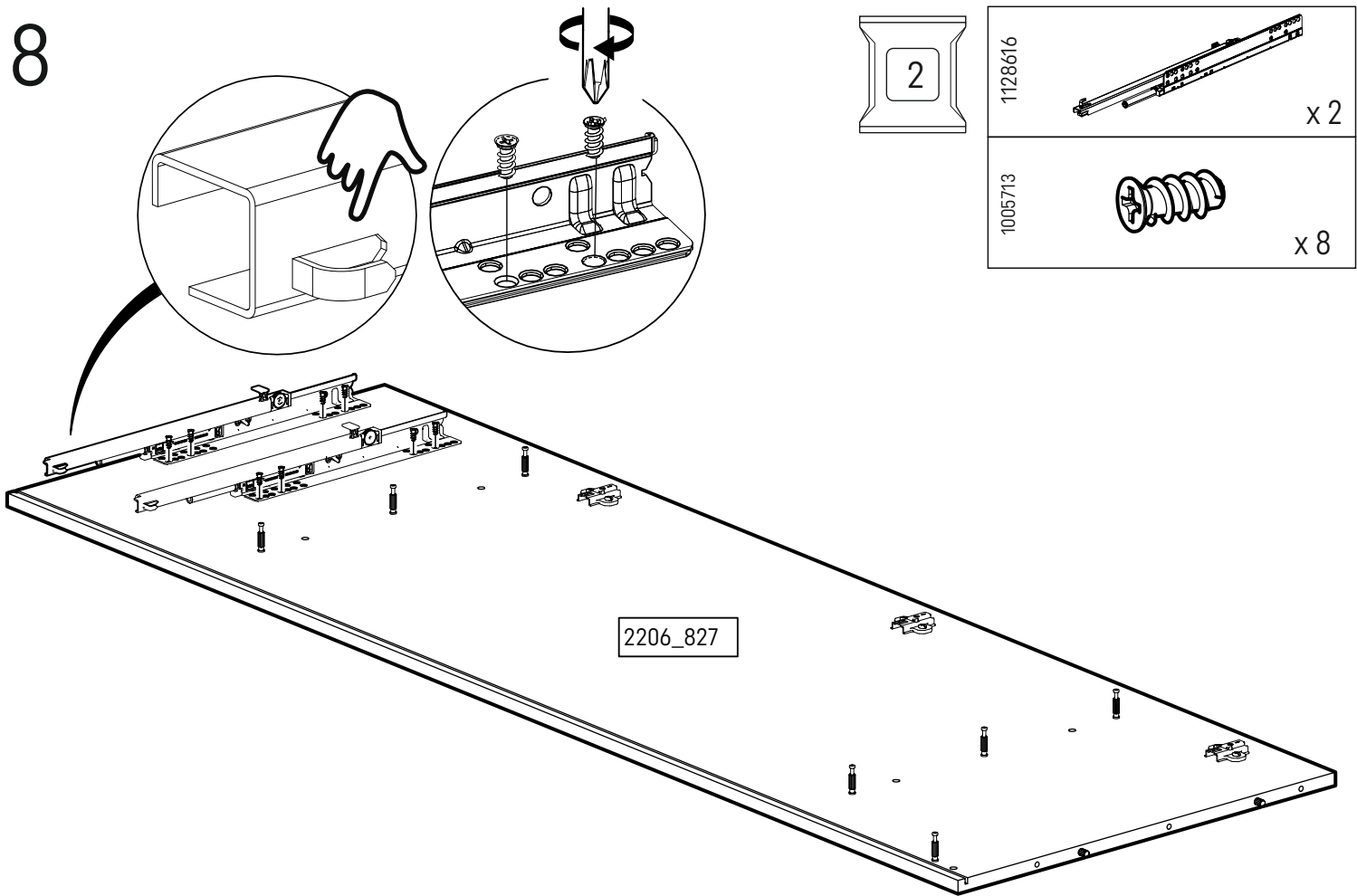


5

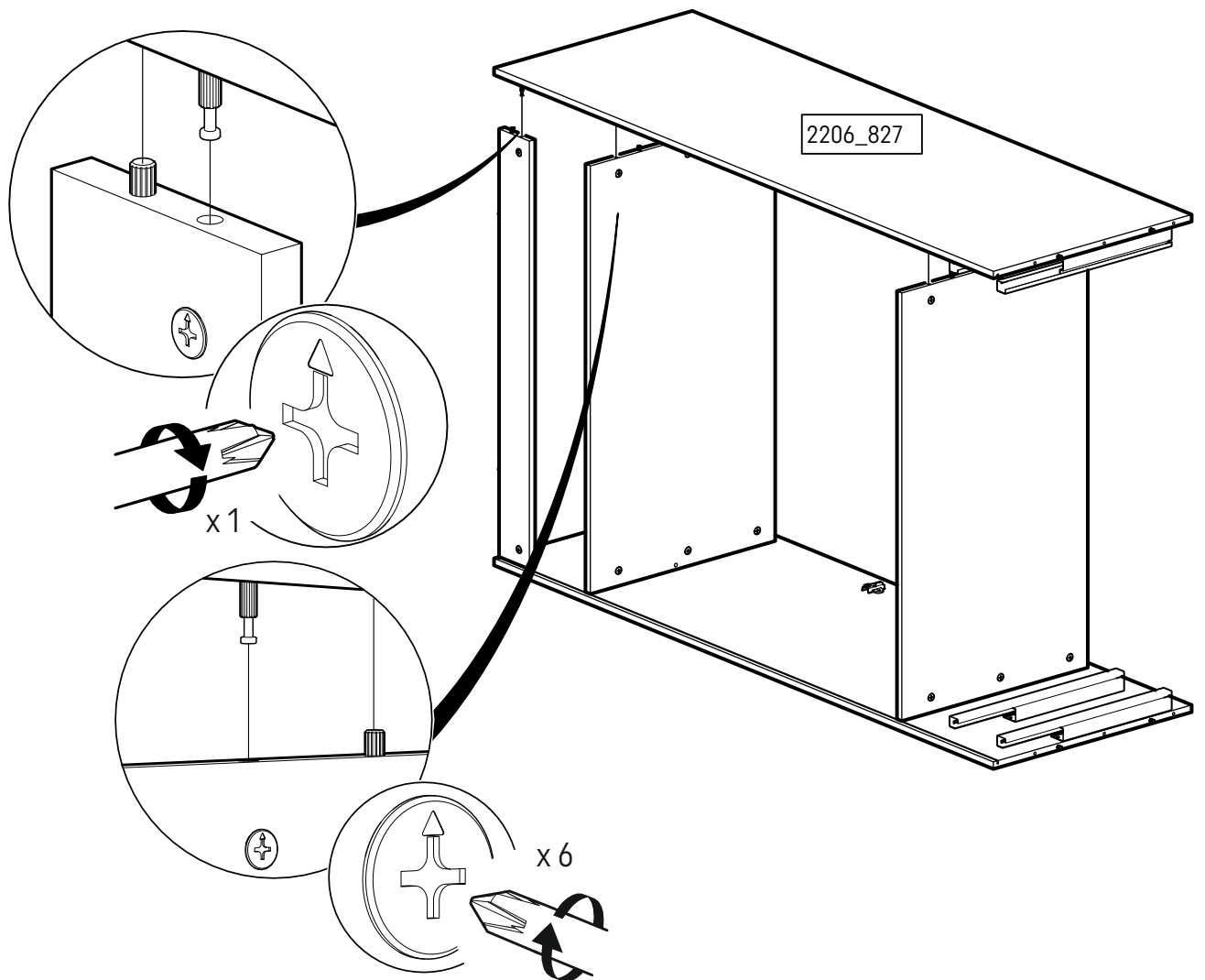




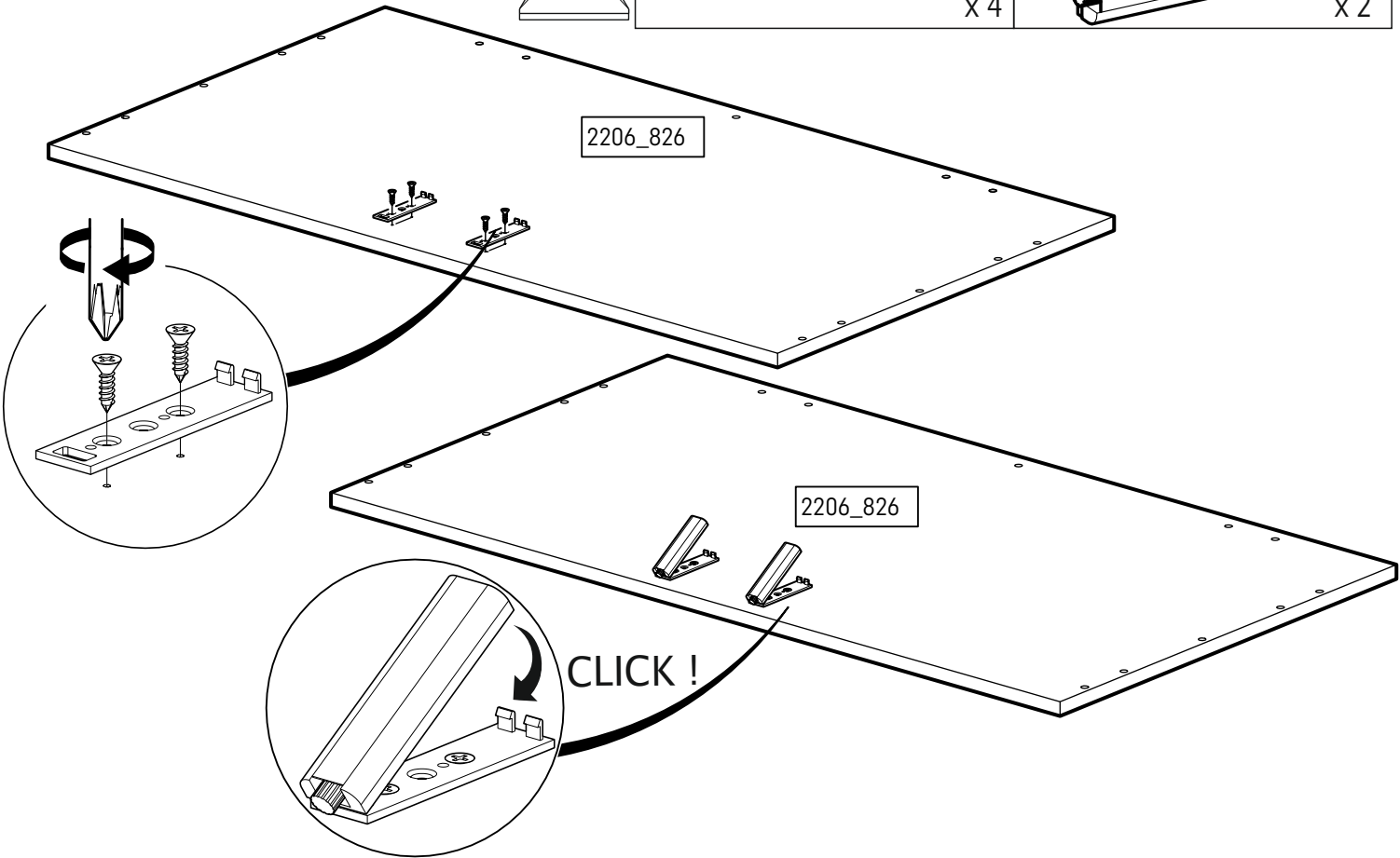
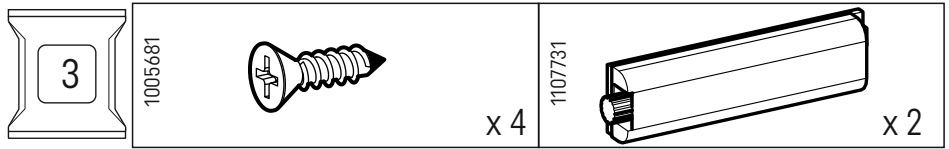
8



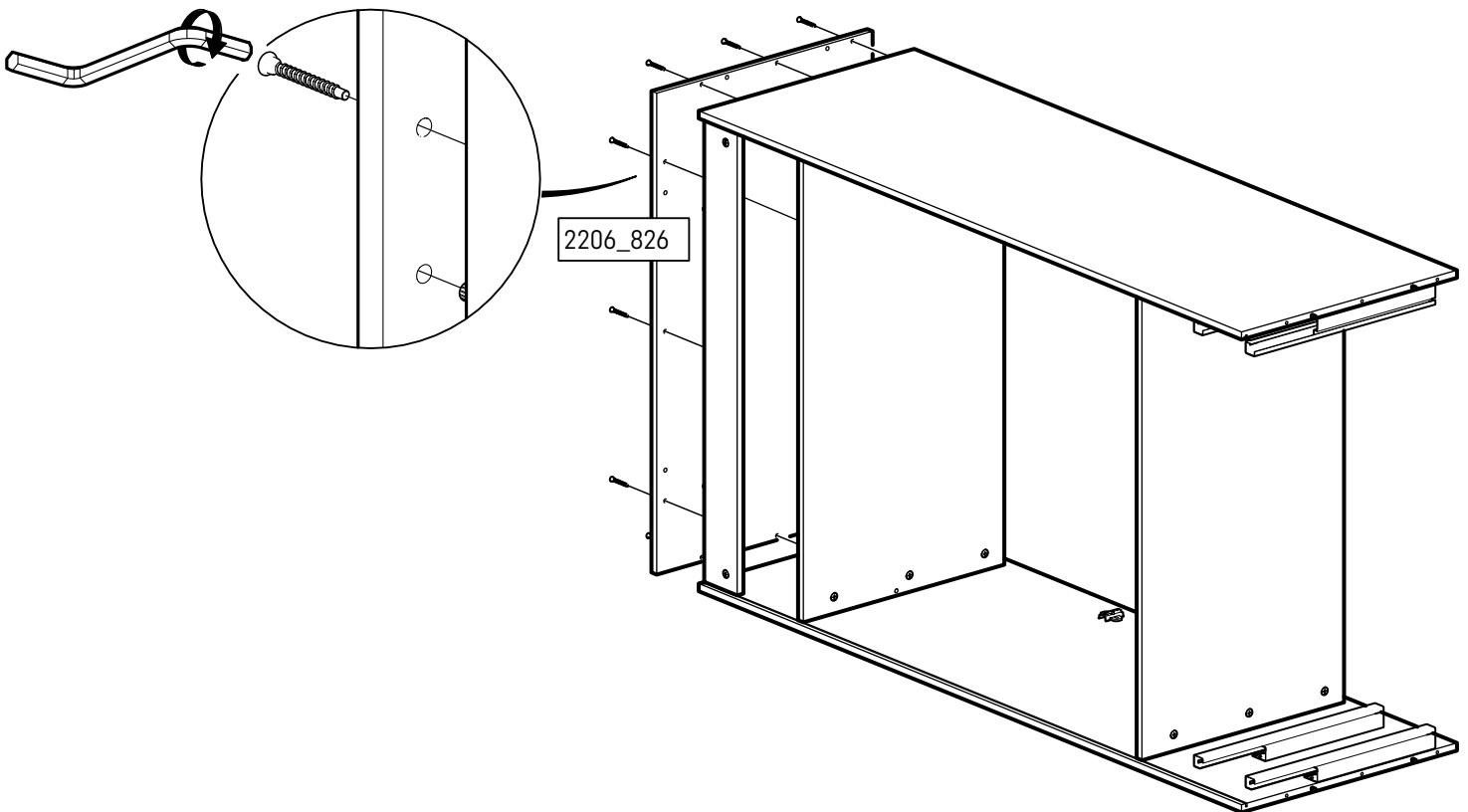
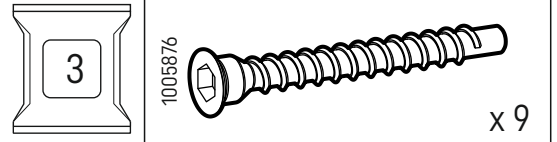
9



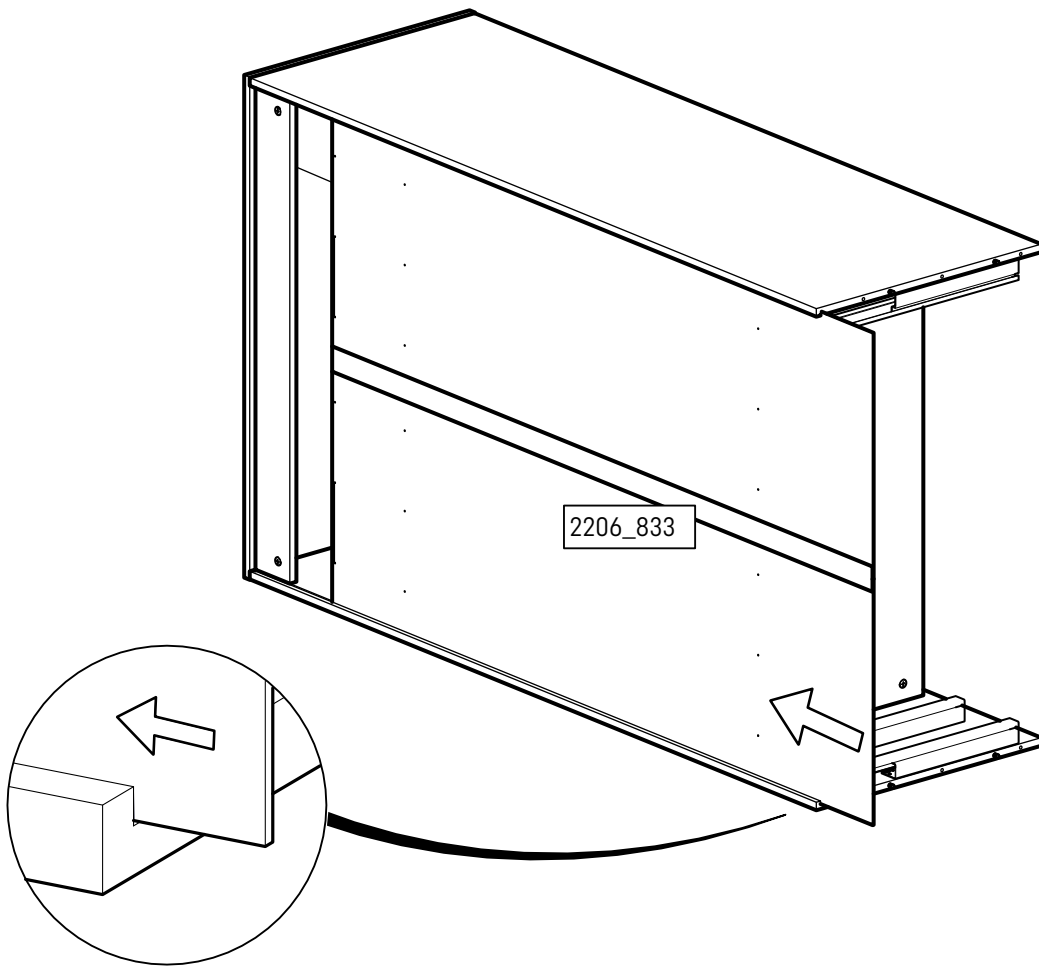
10



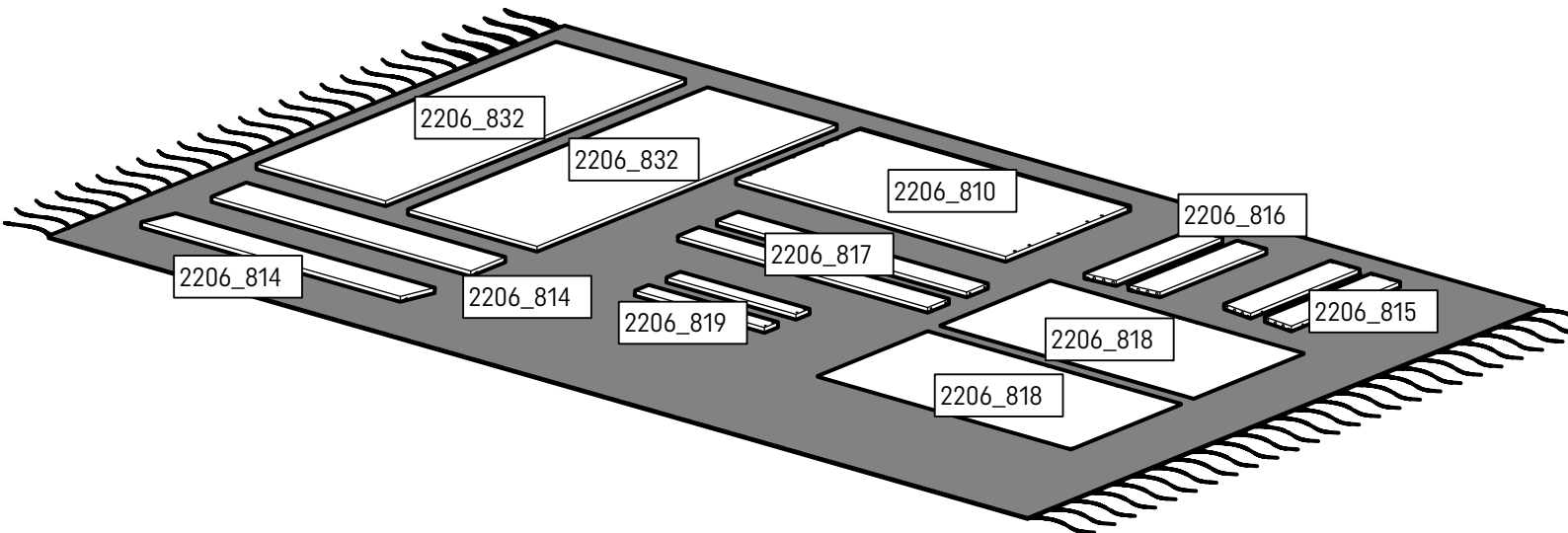
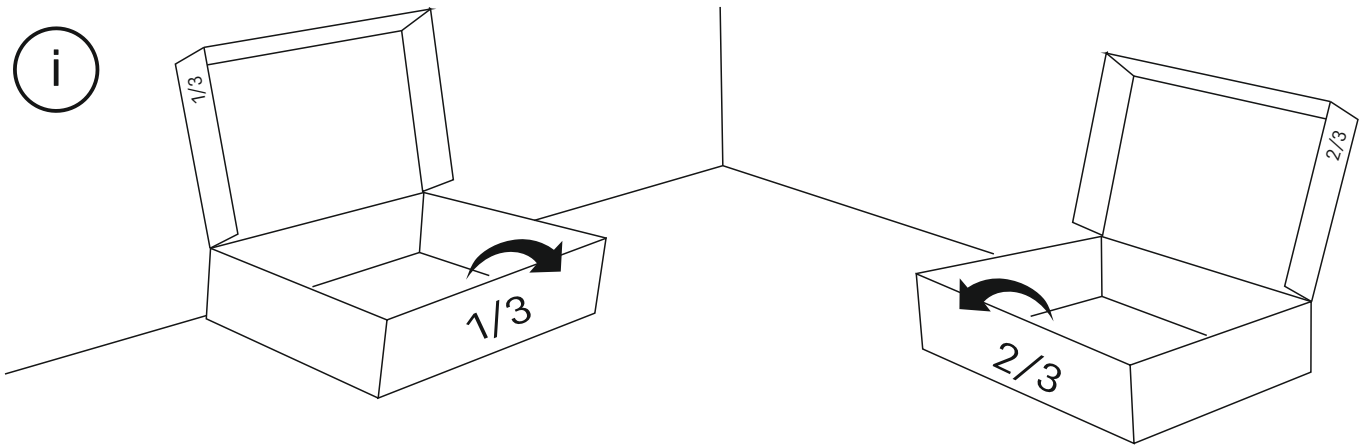
11

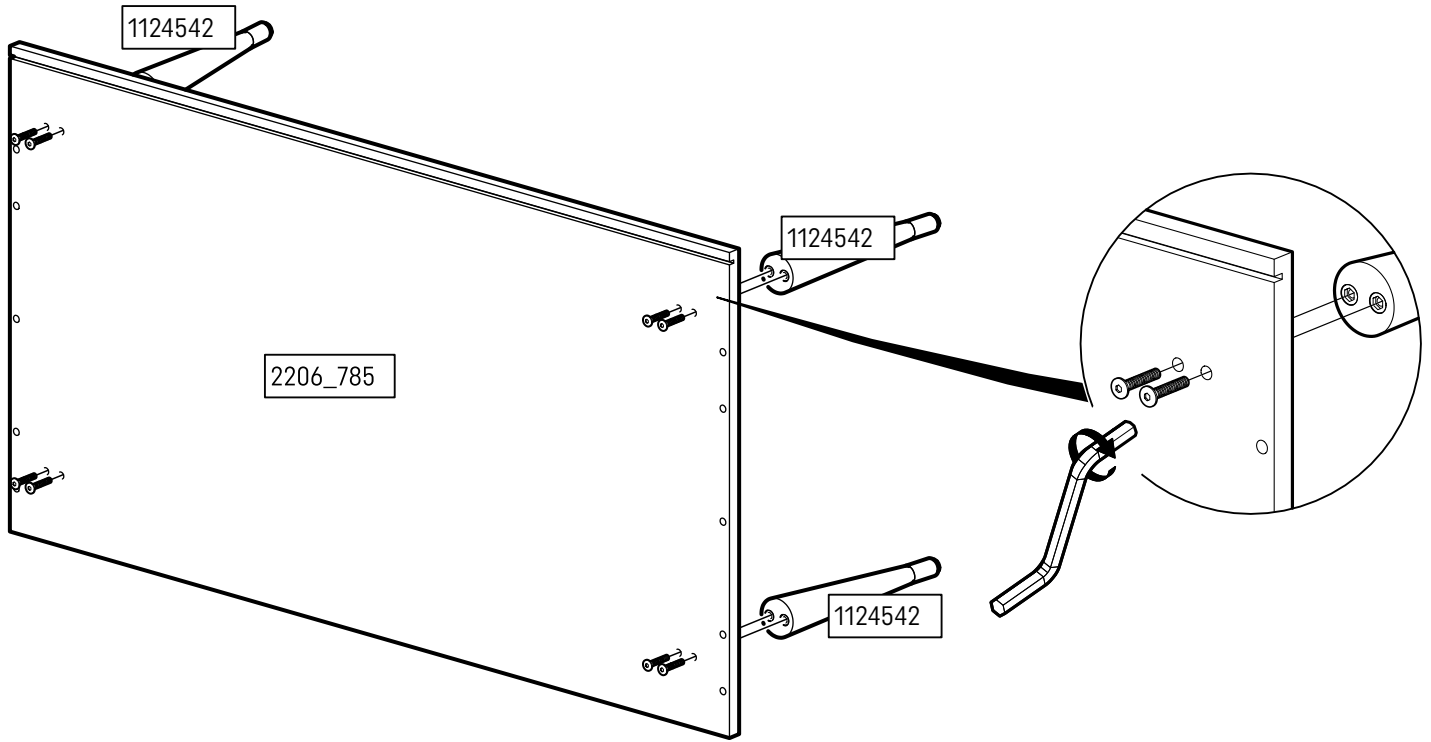
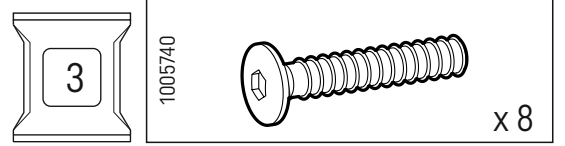


13

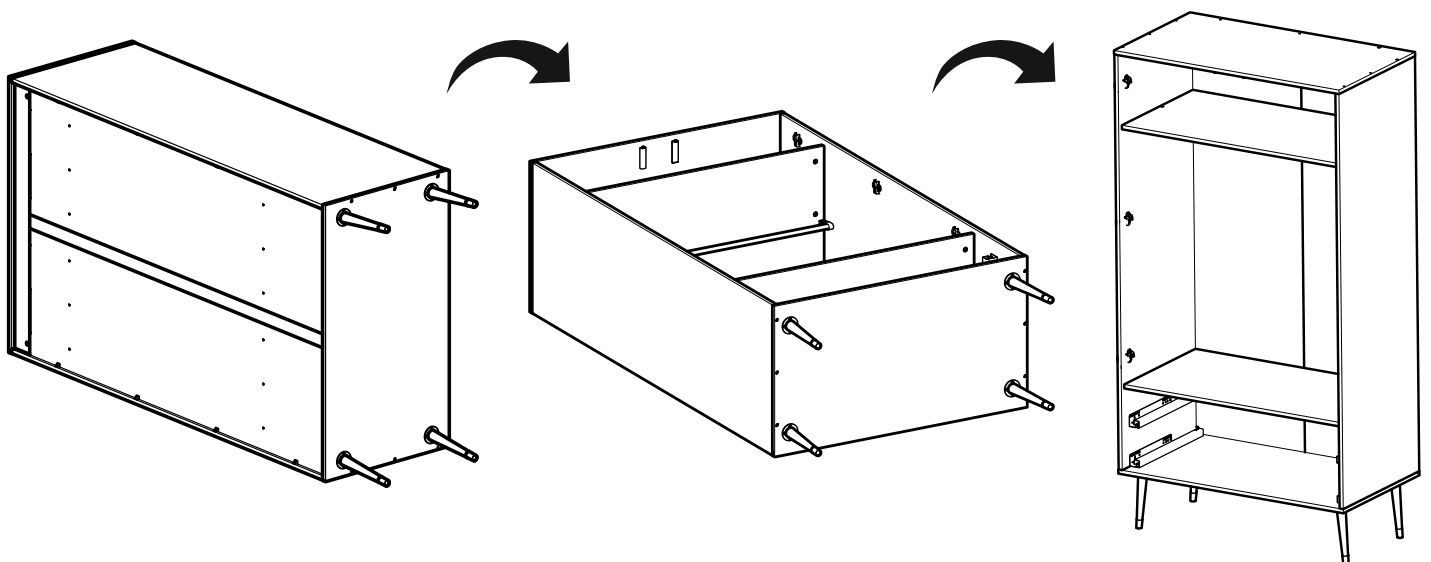
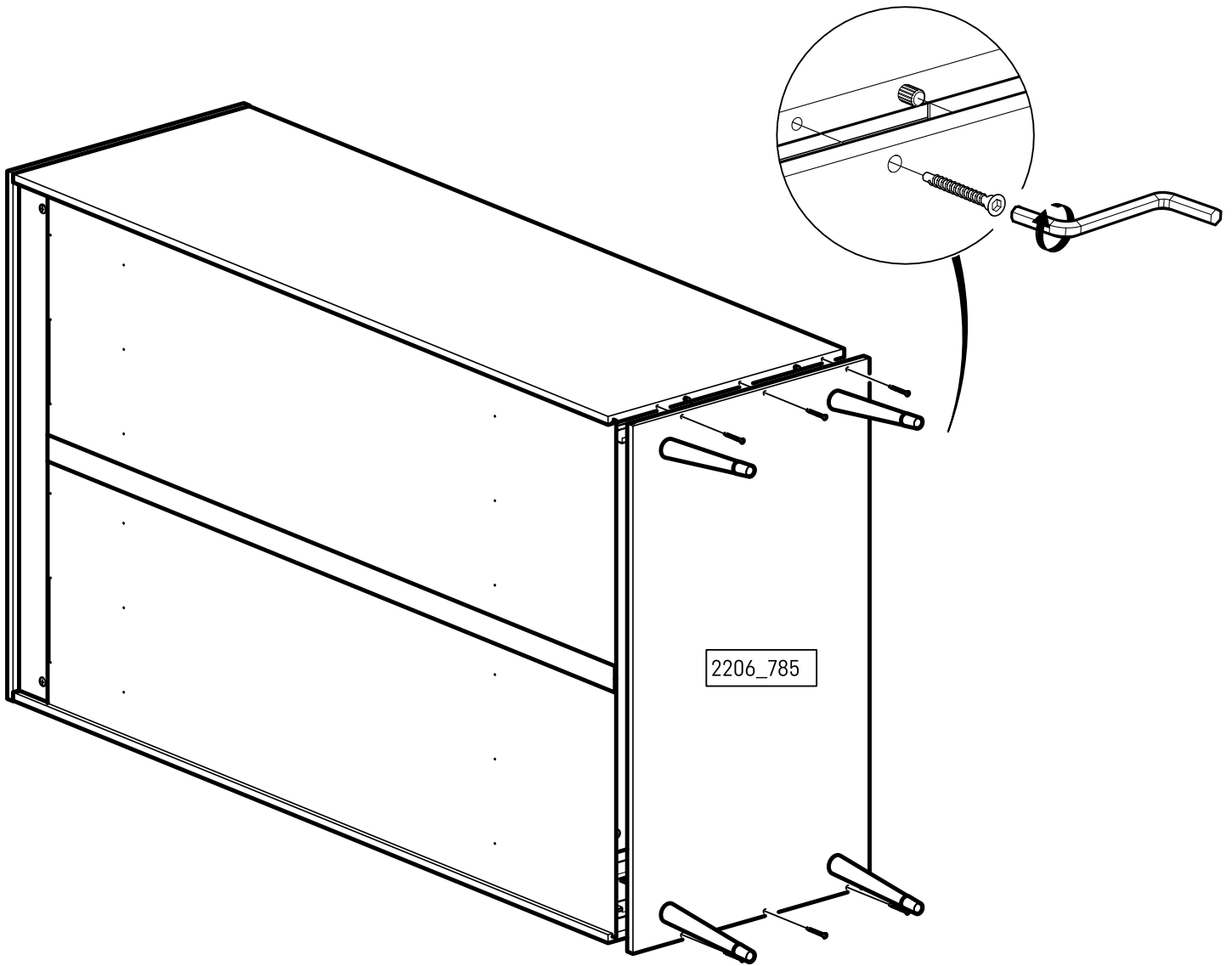
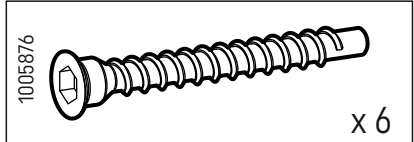
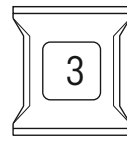


i

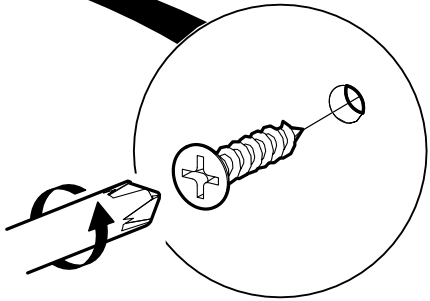
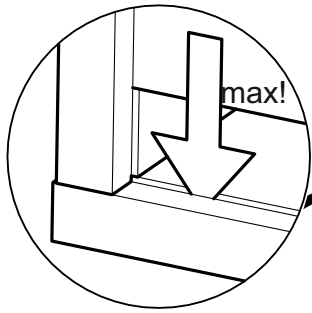
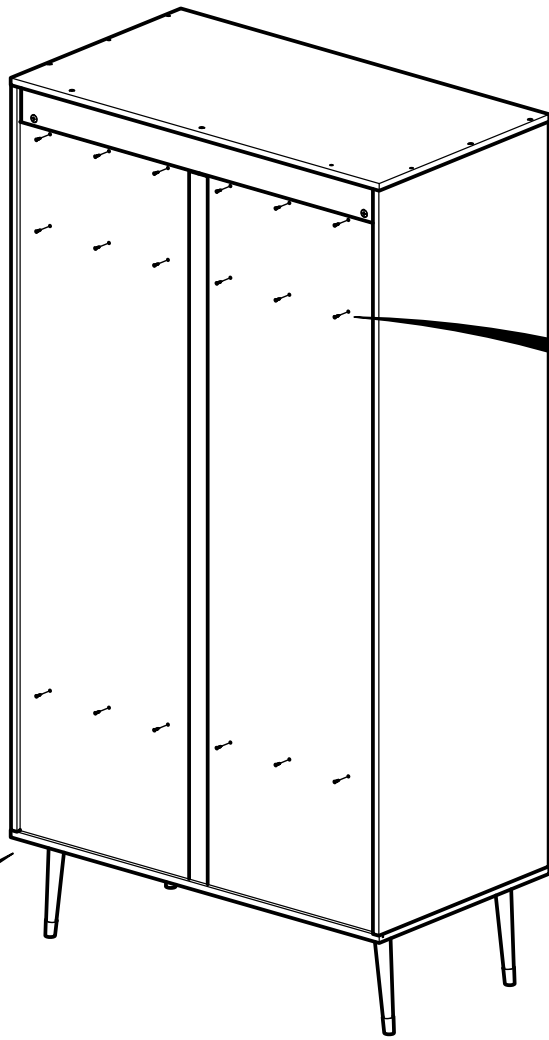




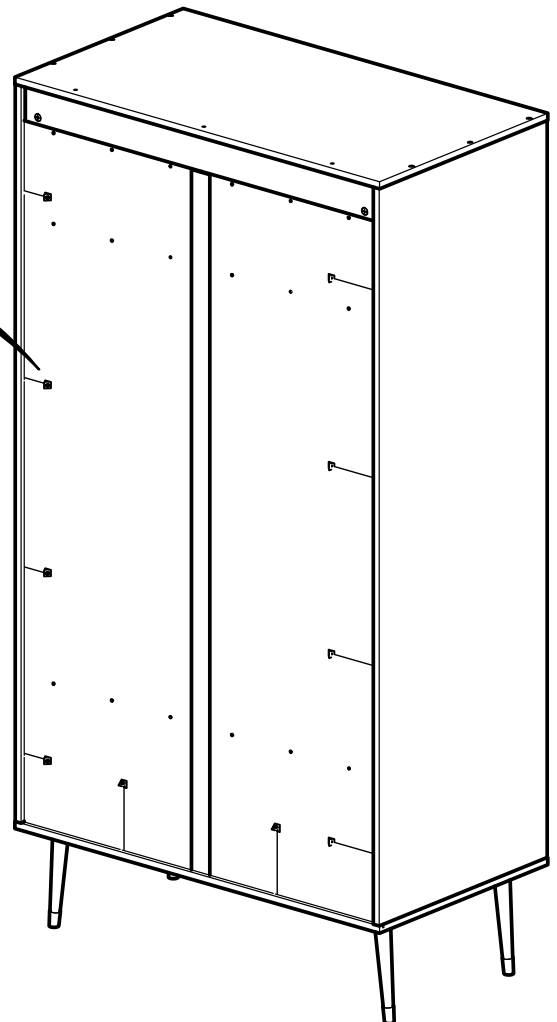
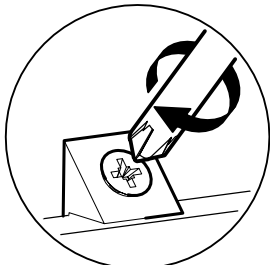
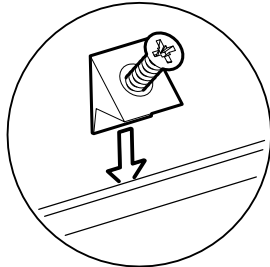
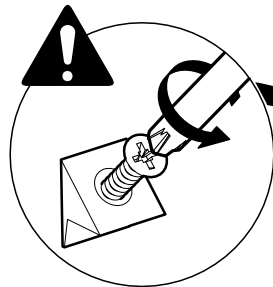
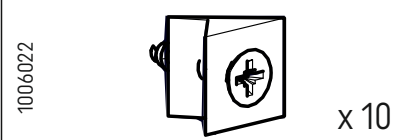
15



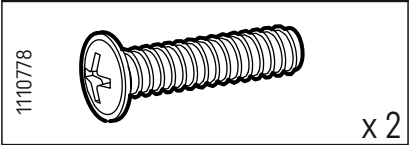
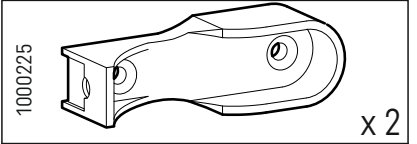
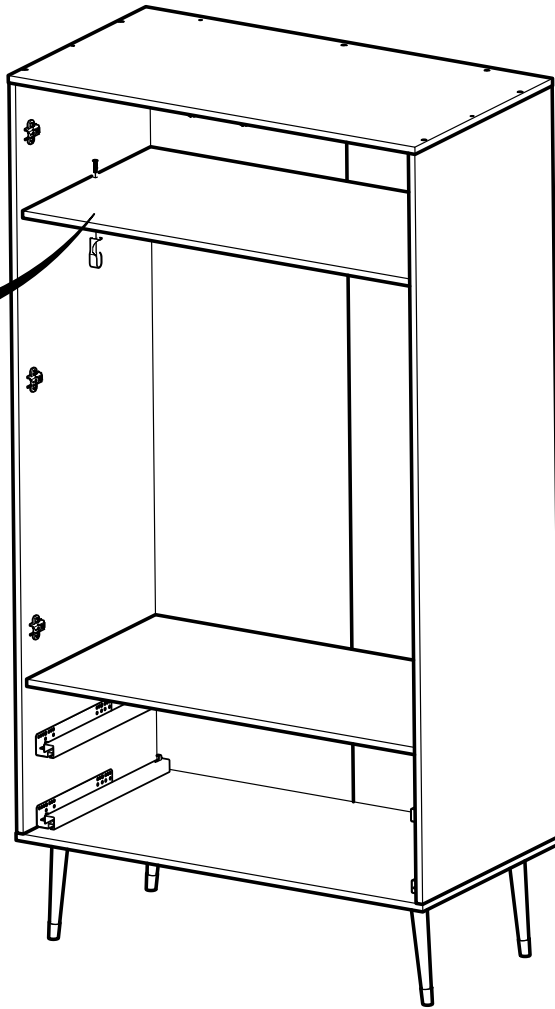
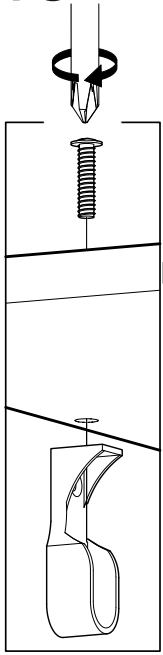
16



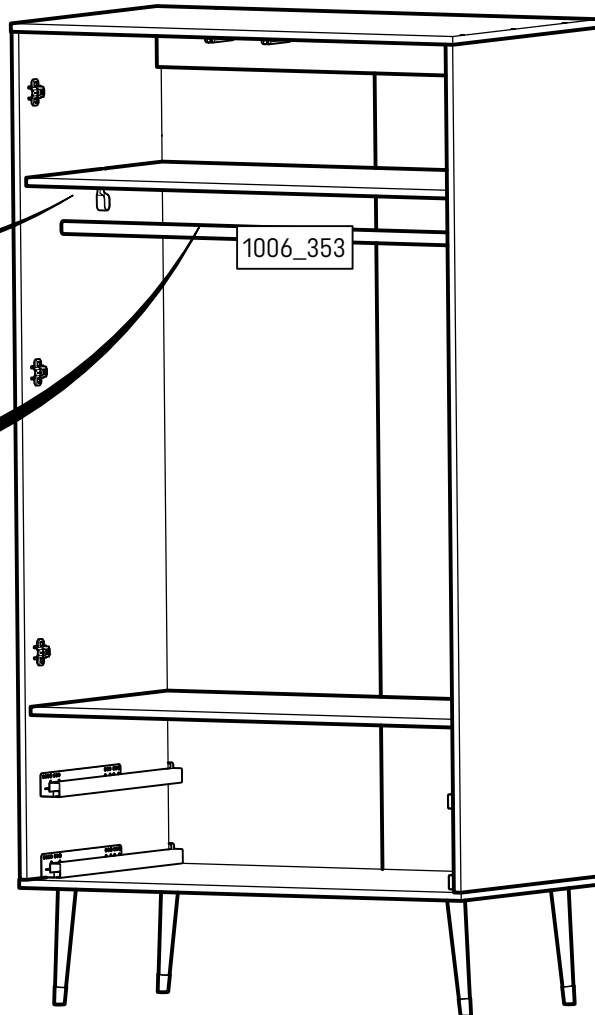
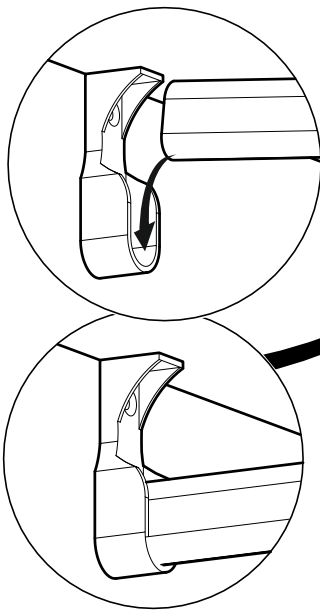
17



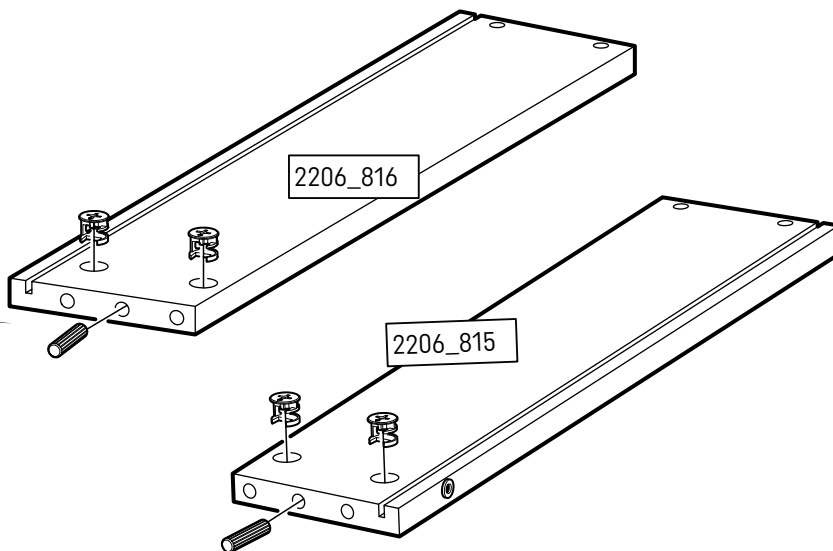
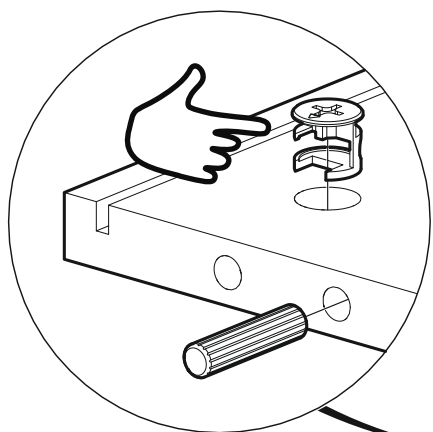
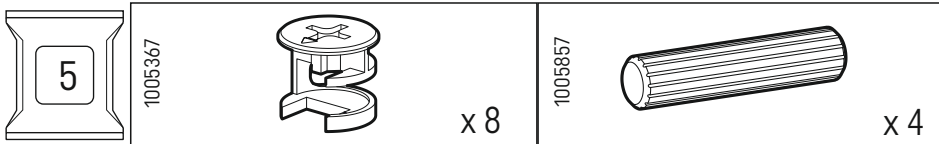
18



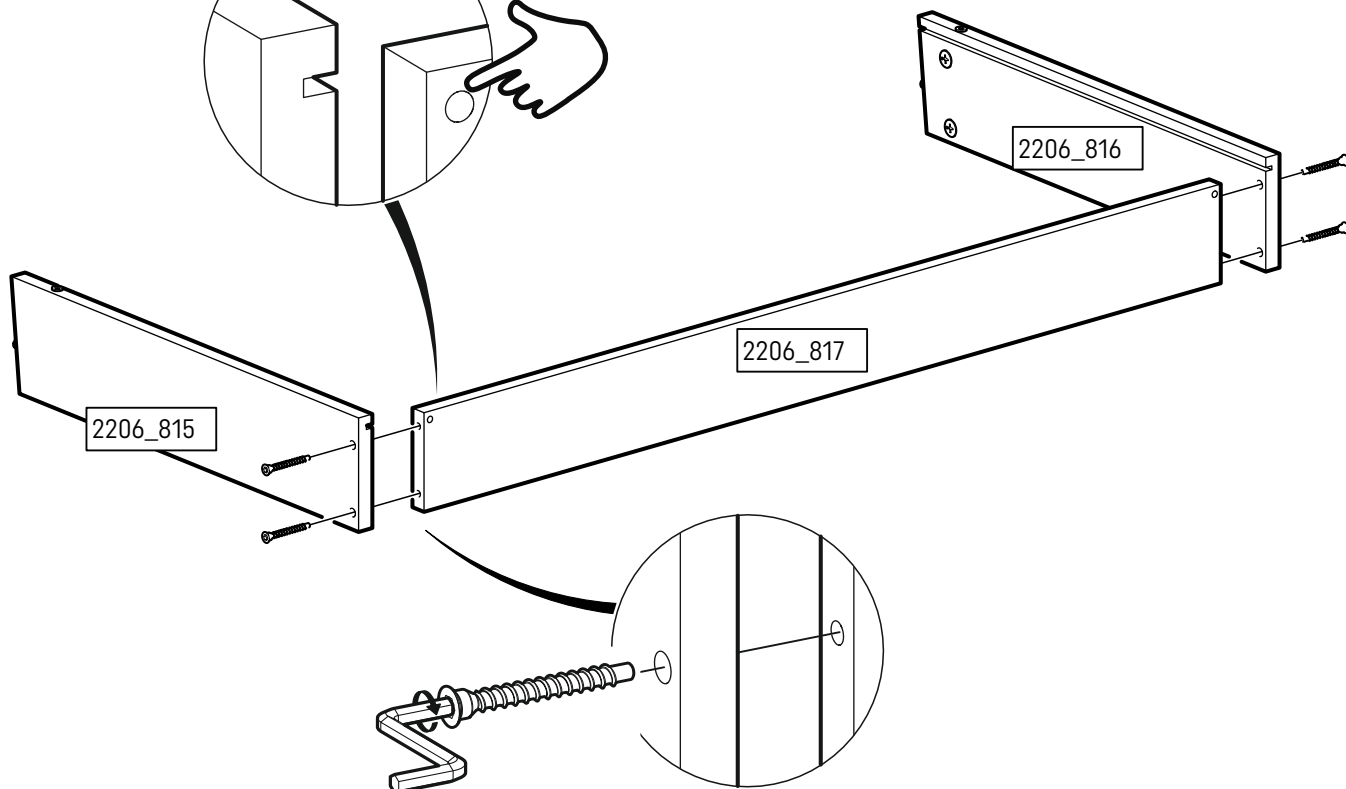
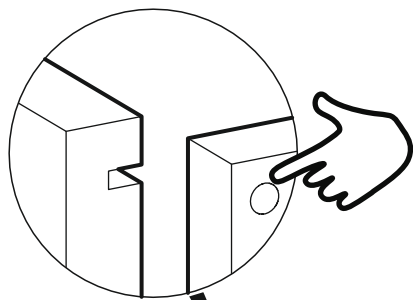
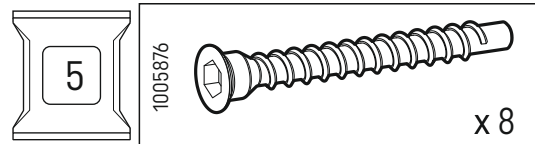
19



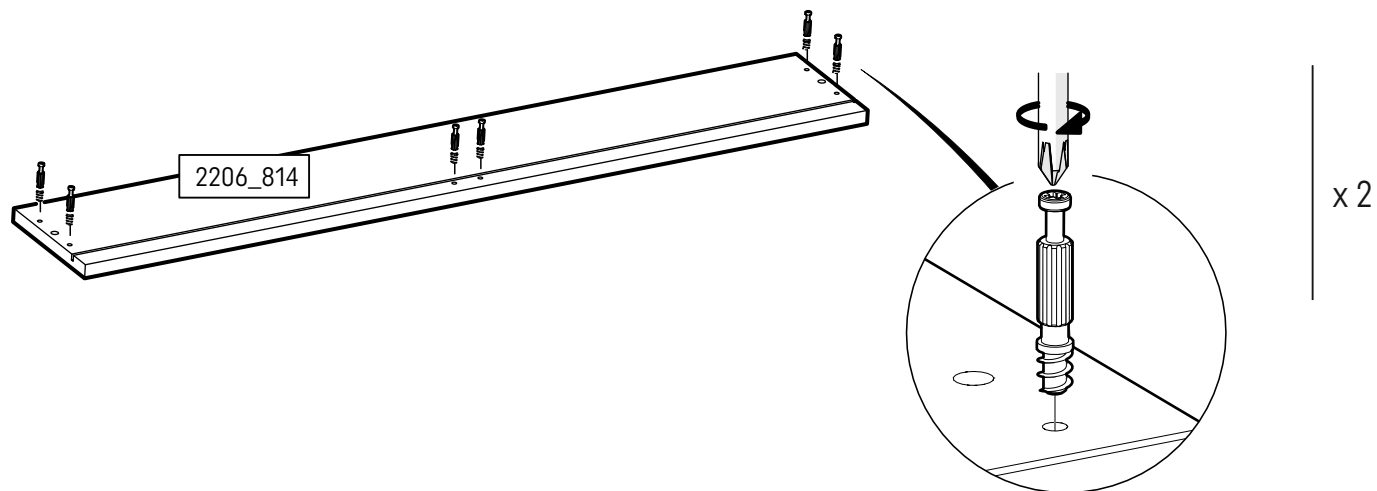
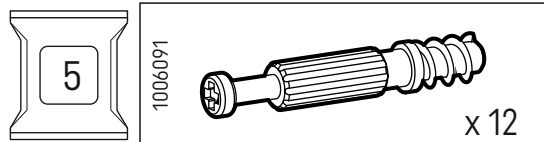
20



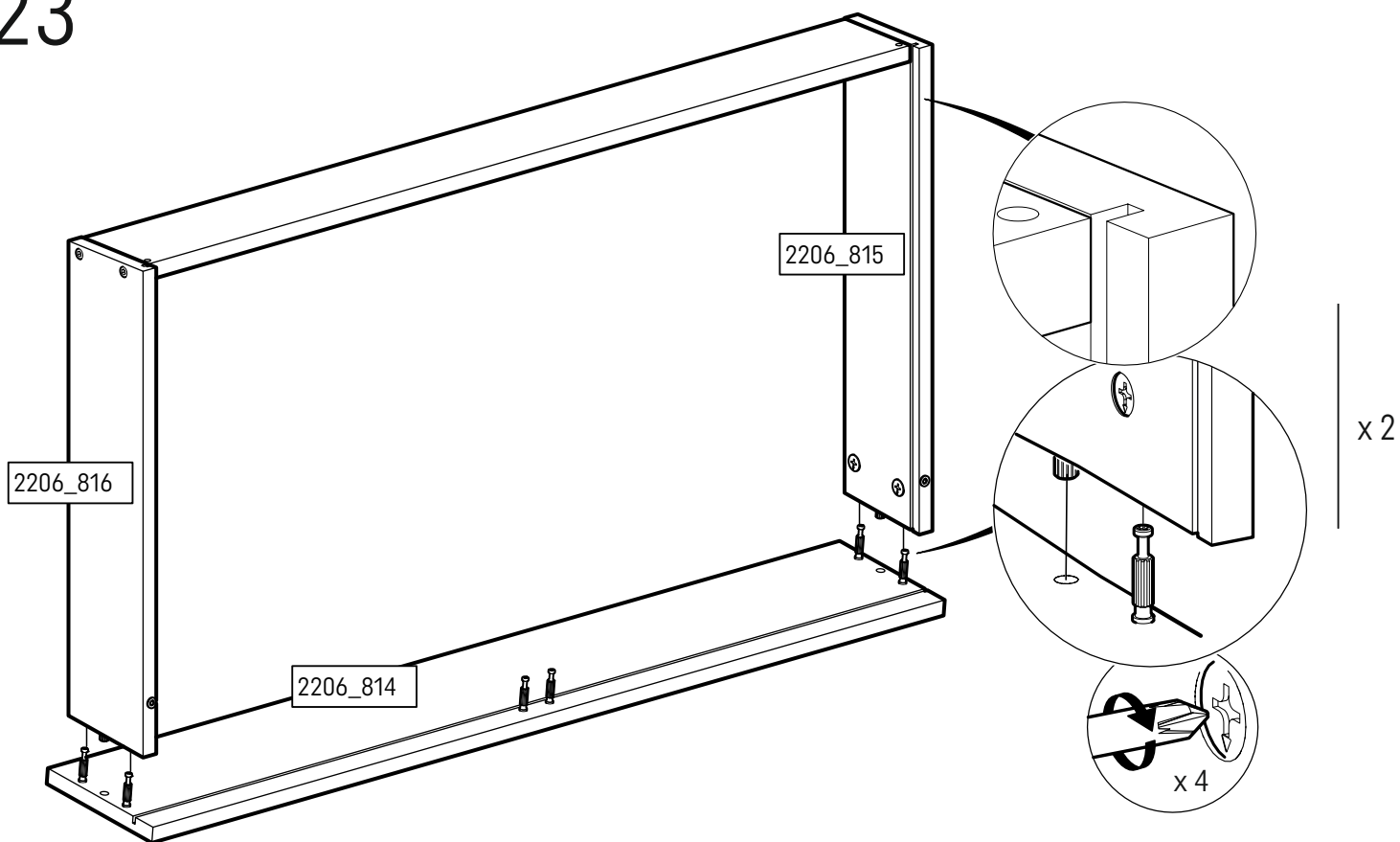
21



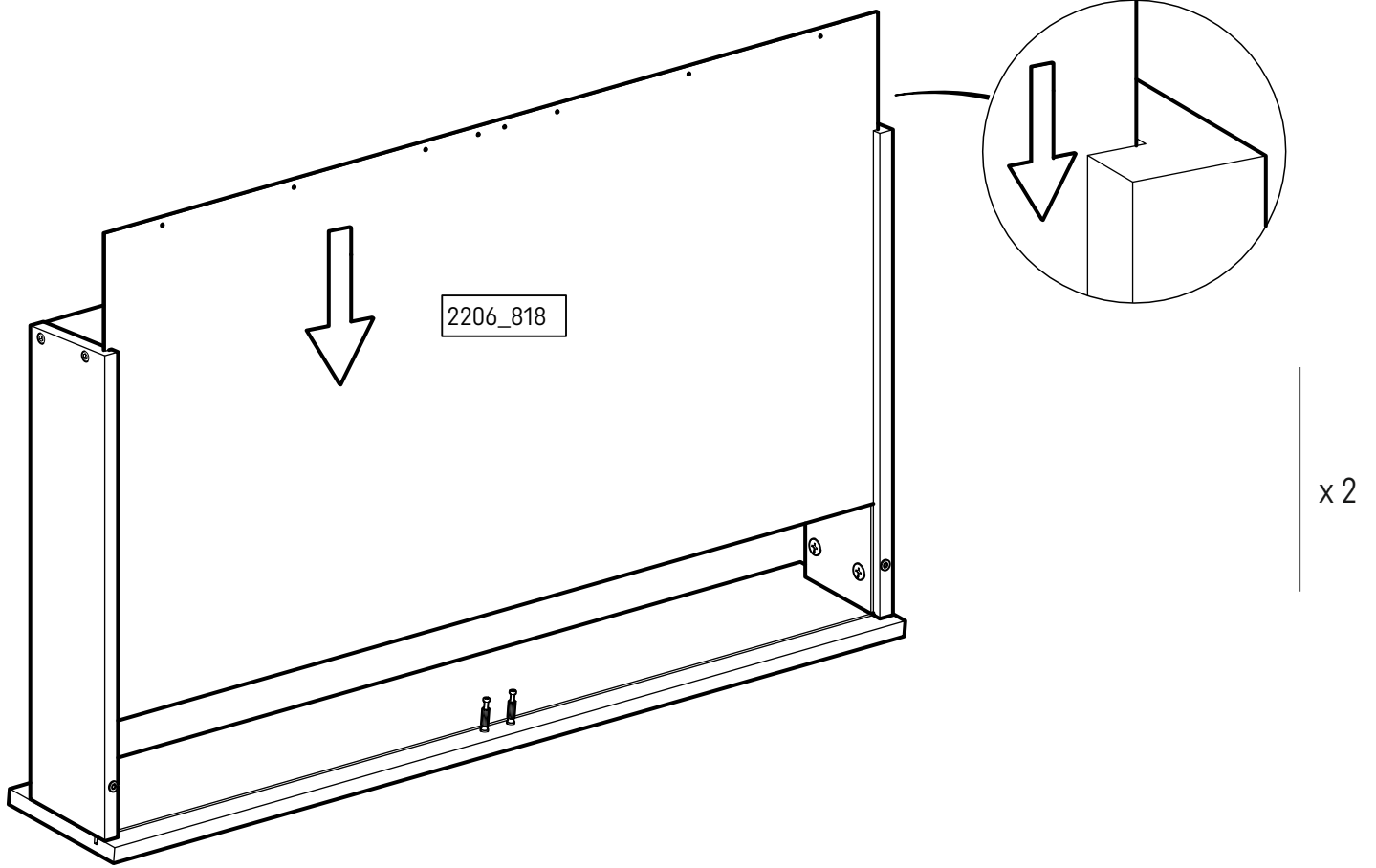
22



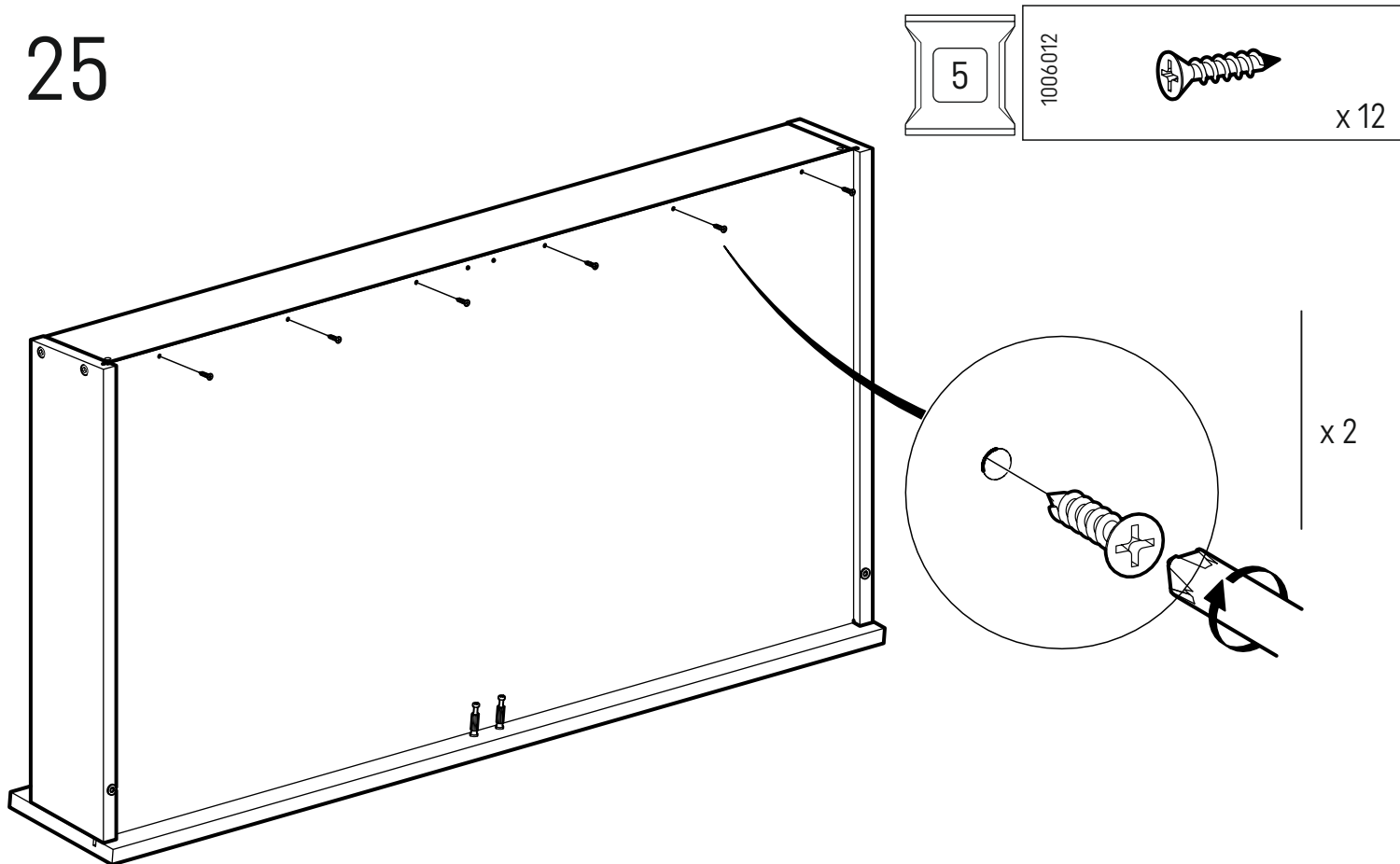
23



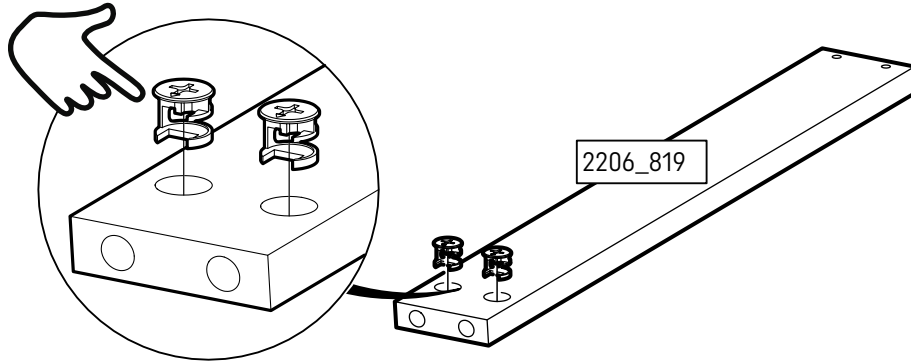
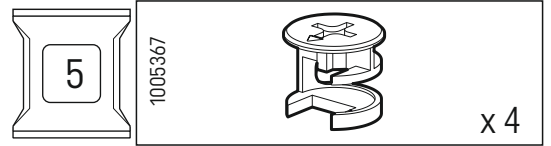
24



25

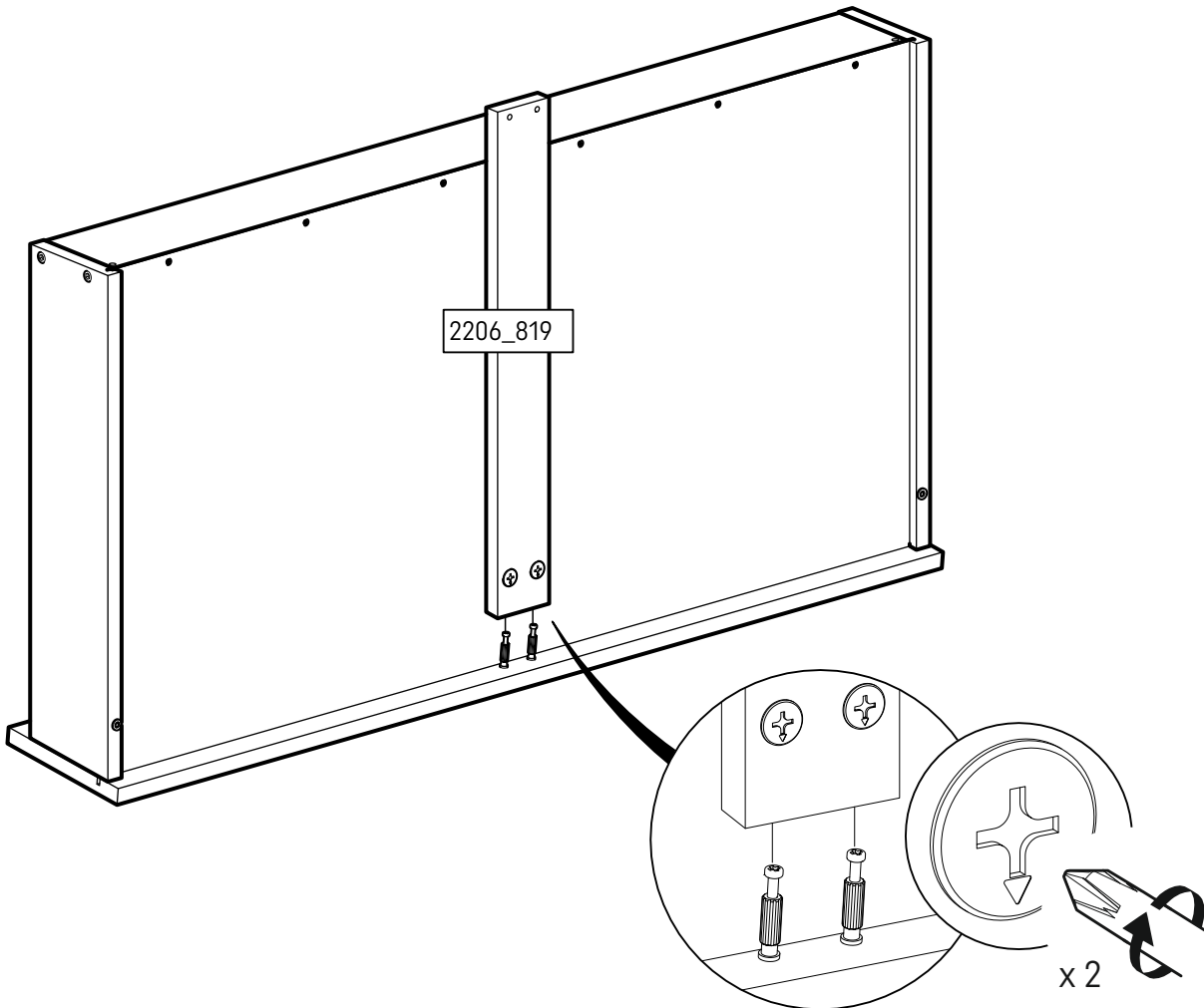


26

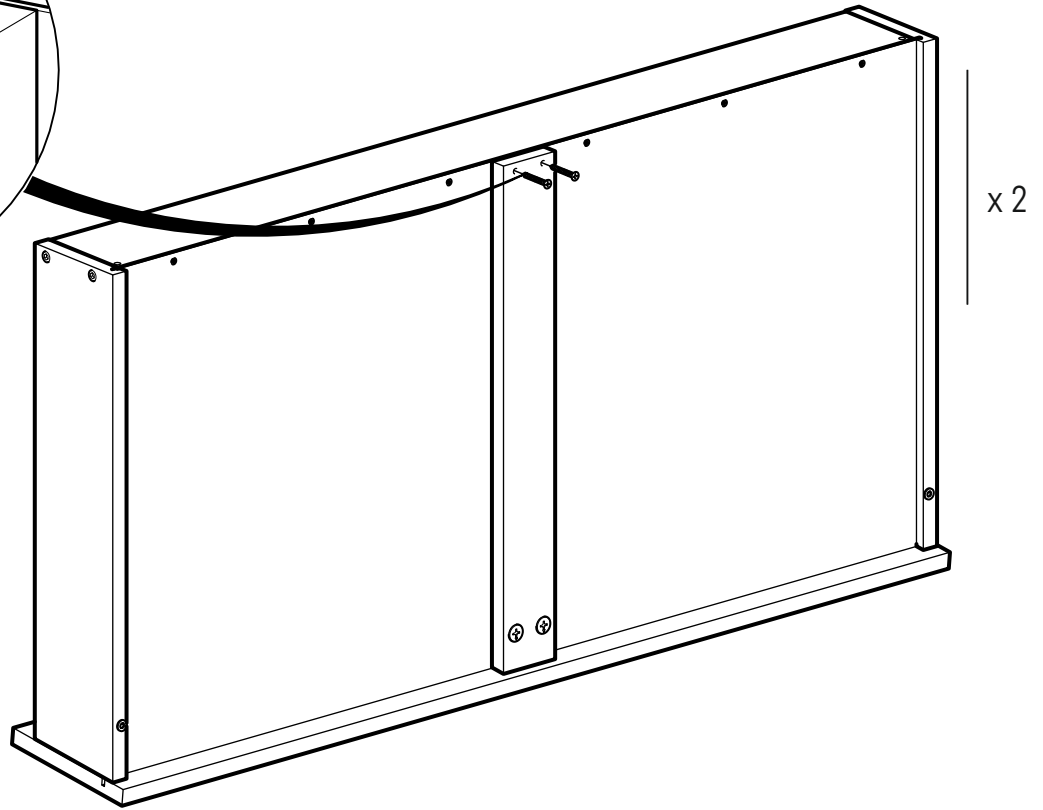
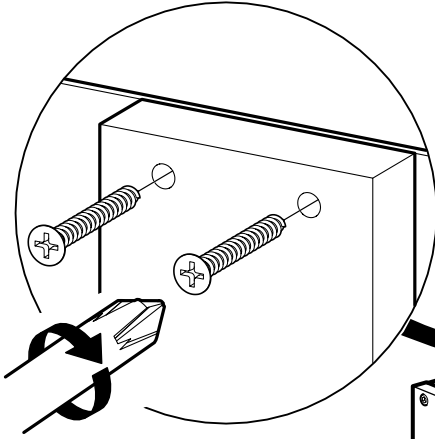
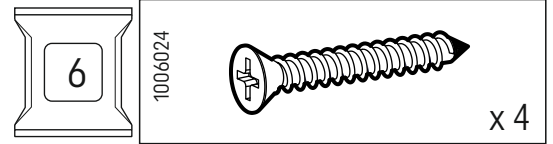


x 2

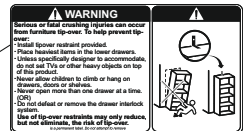
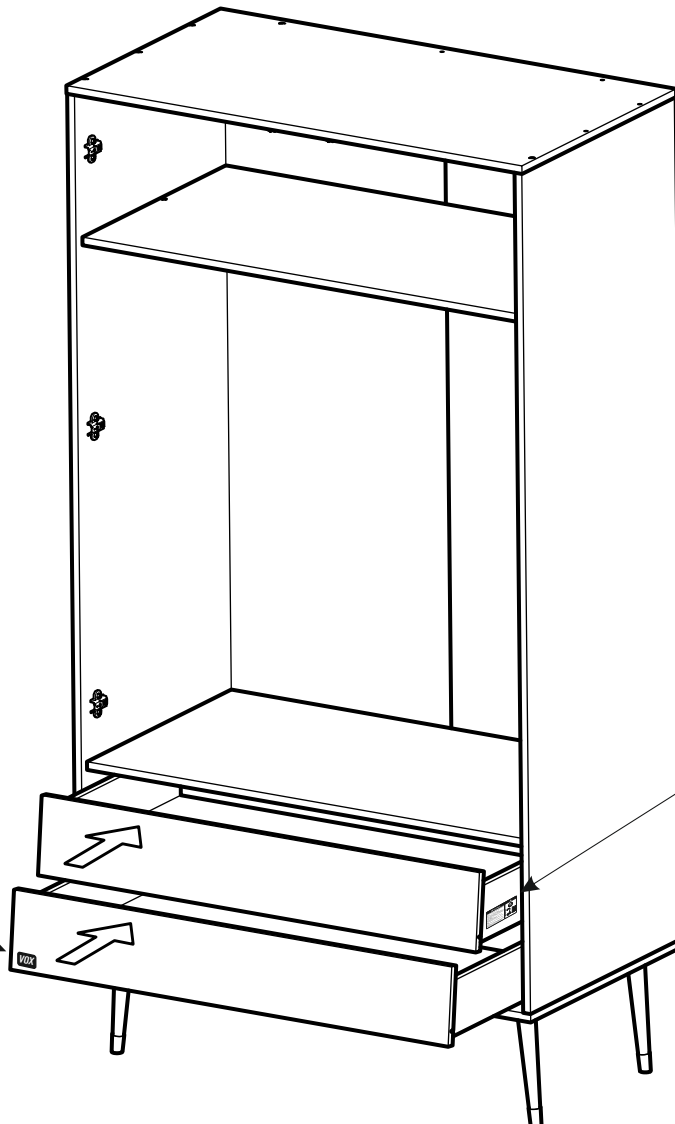
27

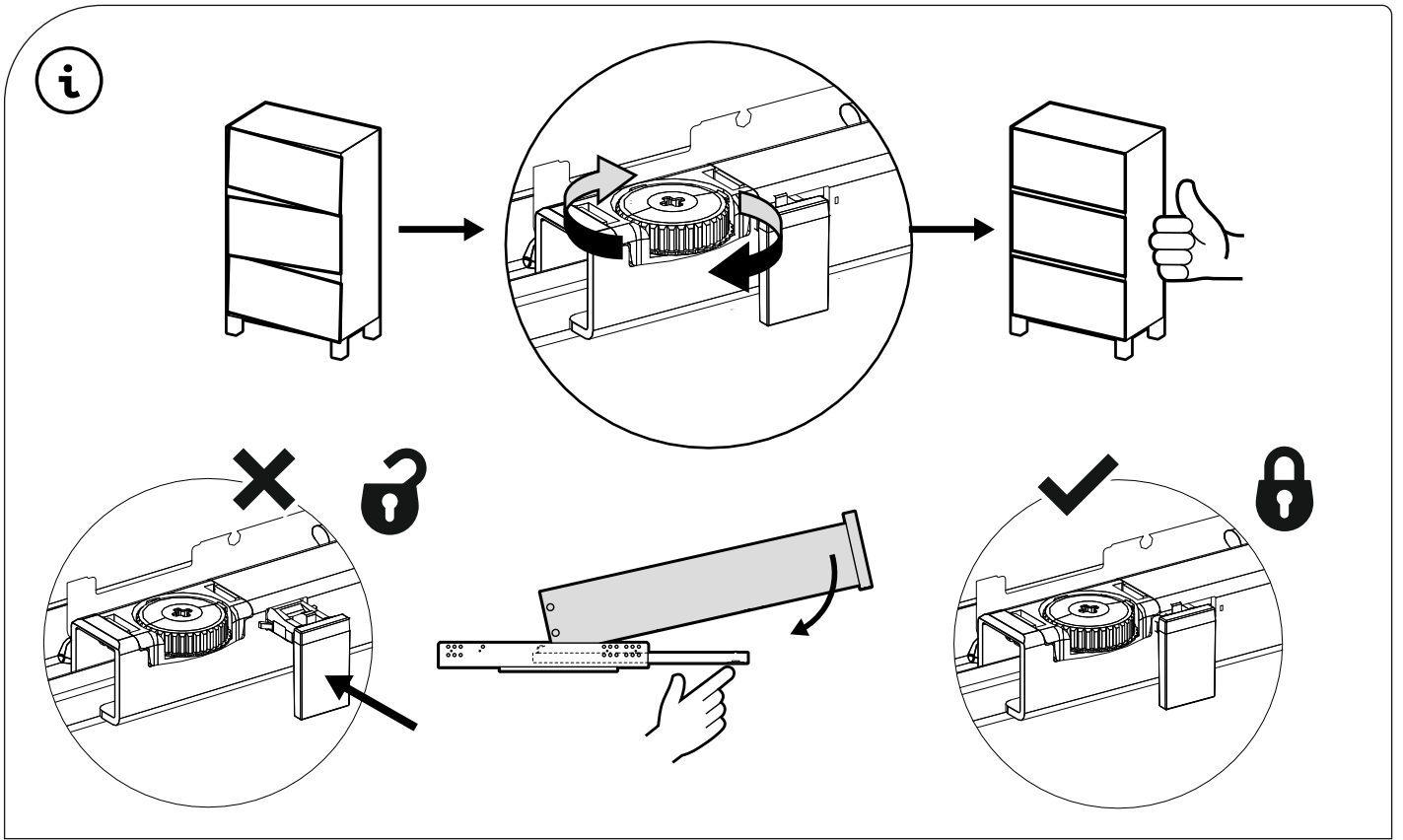


28

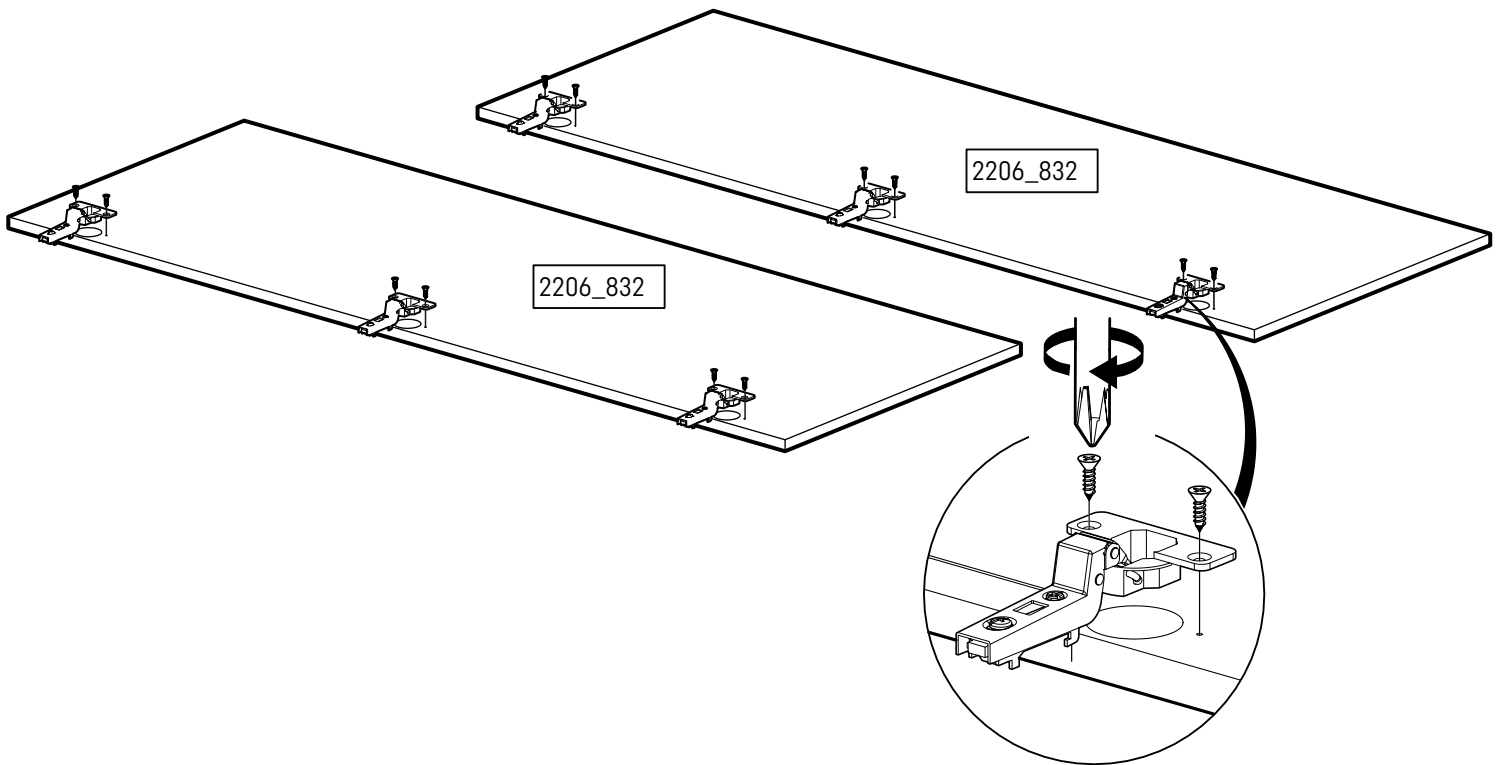
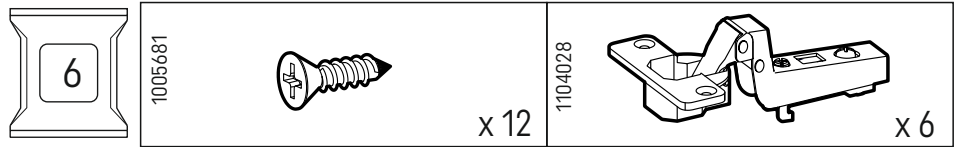


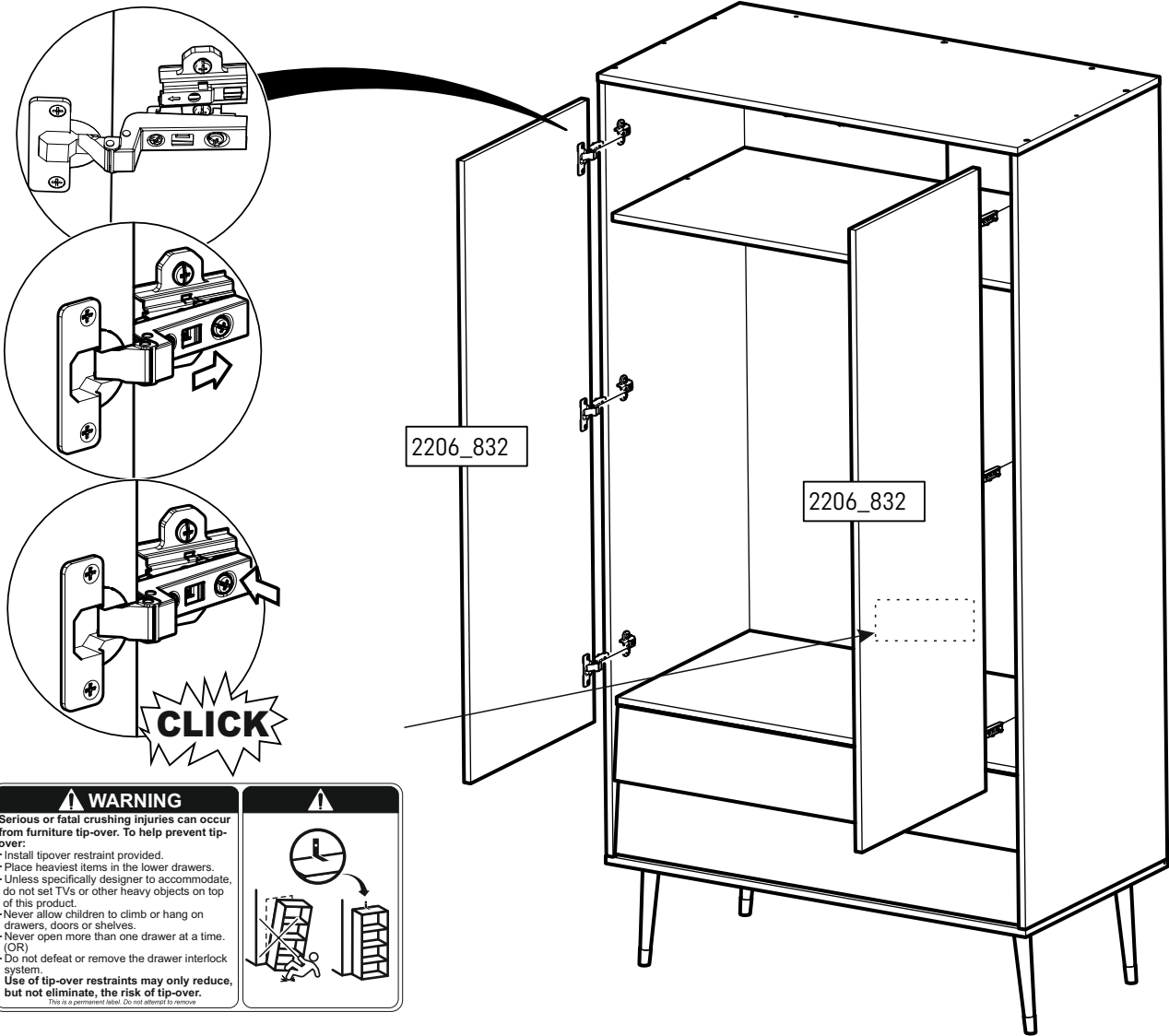
29





30

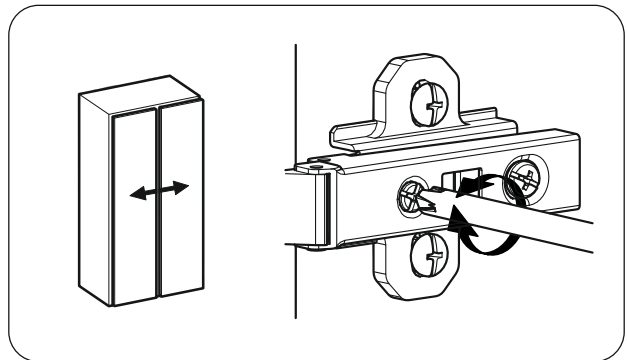
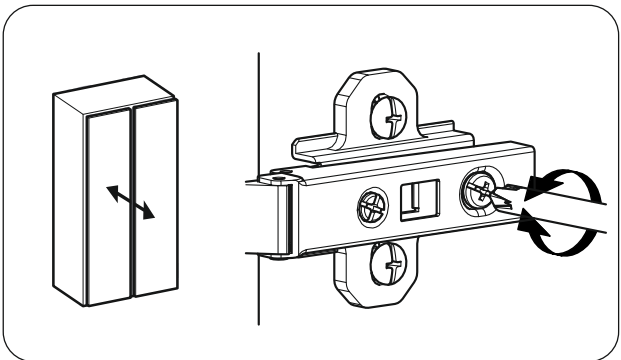
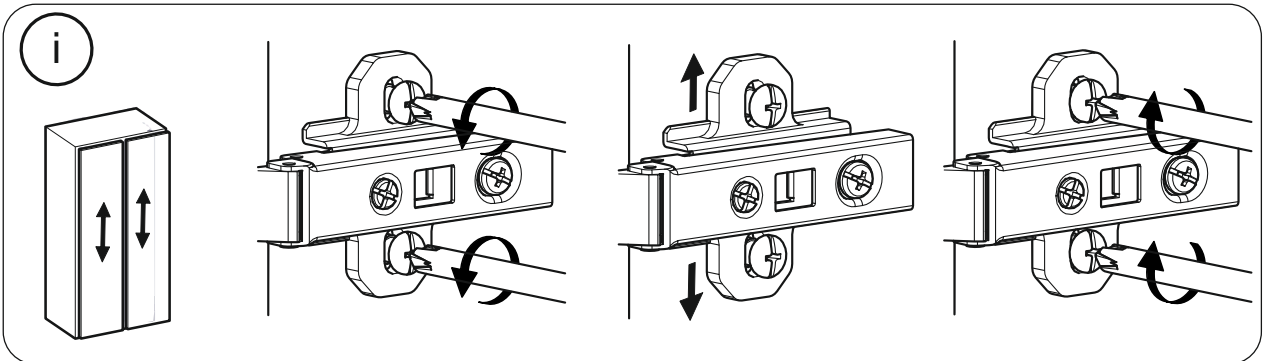


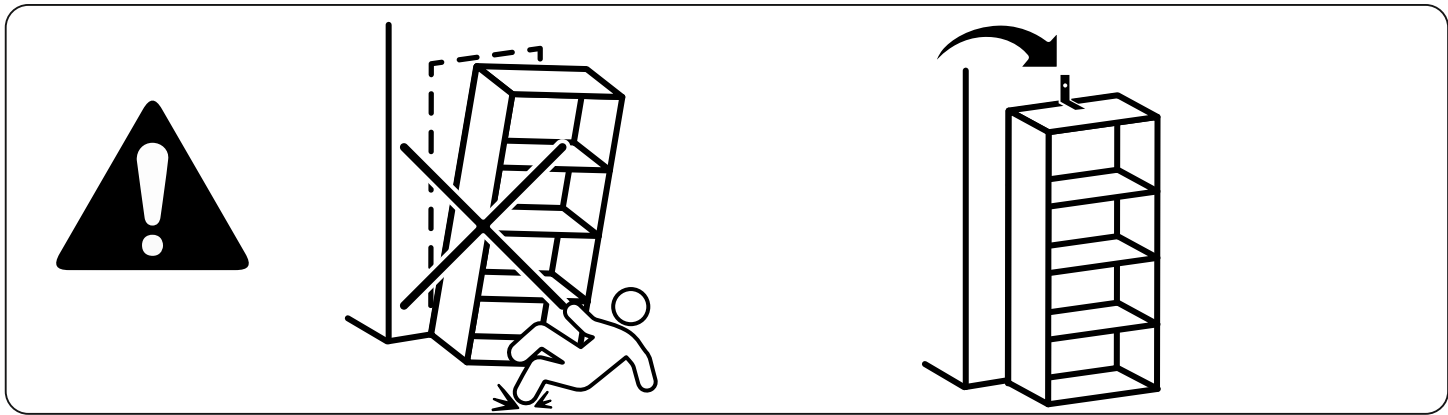


⚠ WARNING
 Serious or fatal crushing injuries can occur from furniture tip-over. To help prevent tip-over:

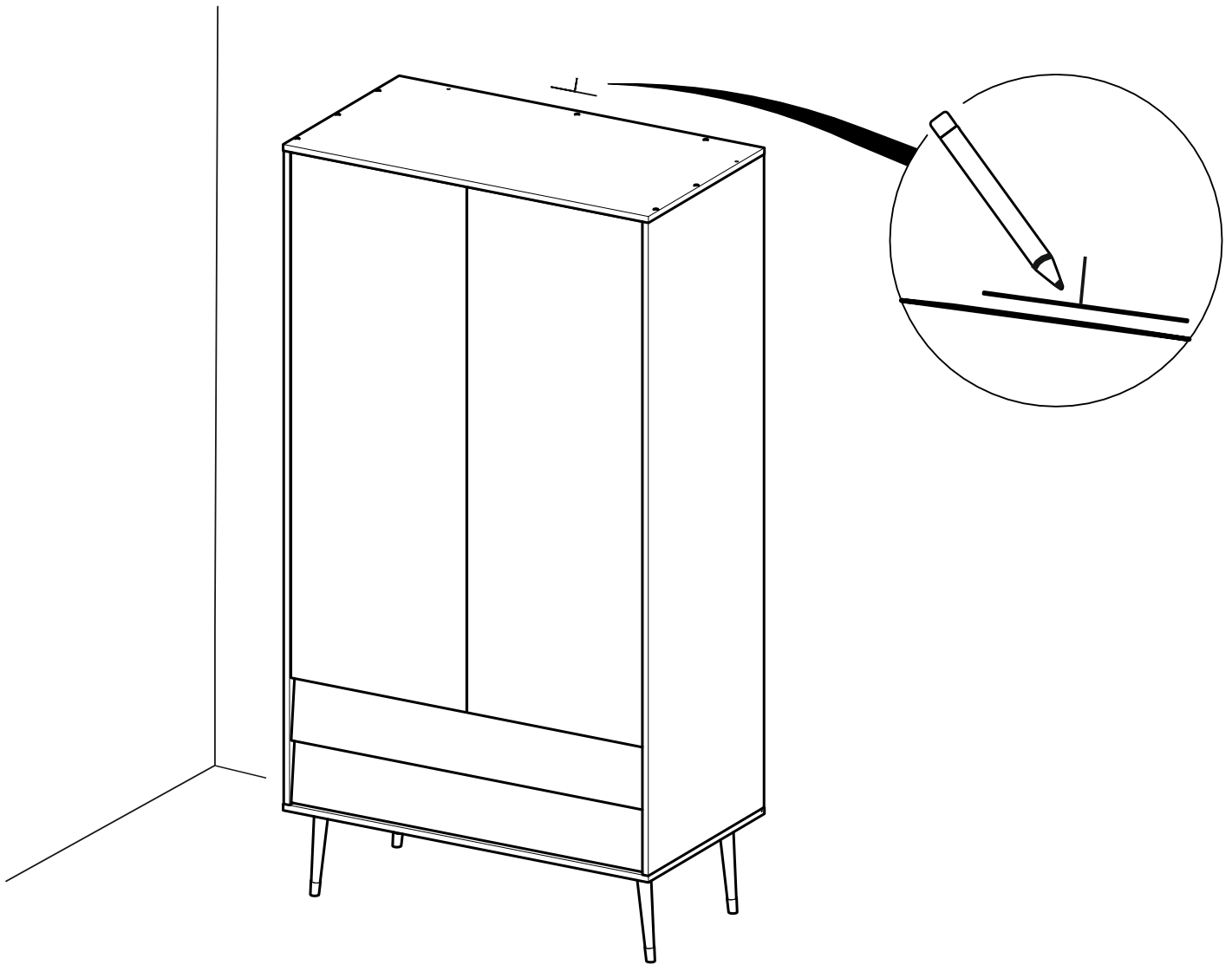
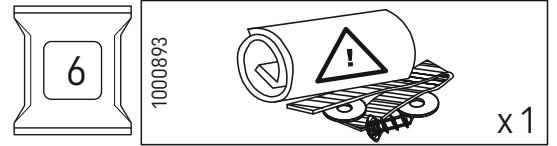
- Install tipover restraint provided.
- Place heaviest items in the lower drawers.
- Unless specifically designed to accommodate, do not set TVs or other heavy objects on top of this product.
- Never allow children to climb or hang on drawers, doors or shelves.
- Never open more than one drawer at a time. (OR)
- Do not defeat or remove the drawer interlock system.

Use of tip-over restraints may only reduce, but not eliminate, the risk of tip-over.
This is a permanent label. Do not attempt to remove.

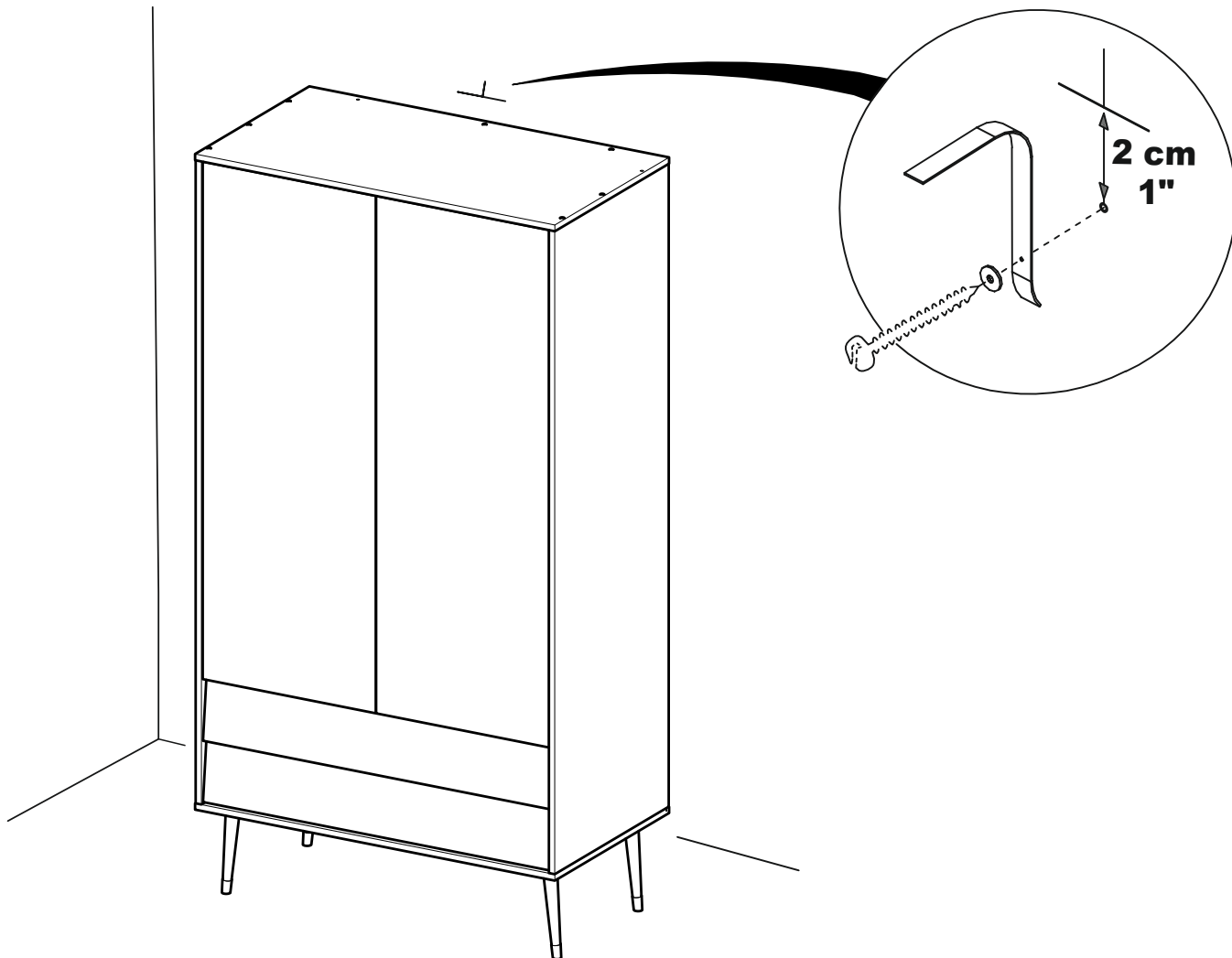




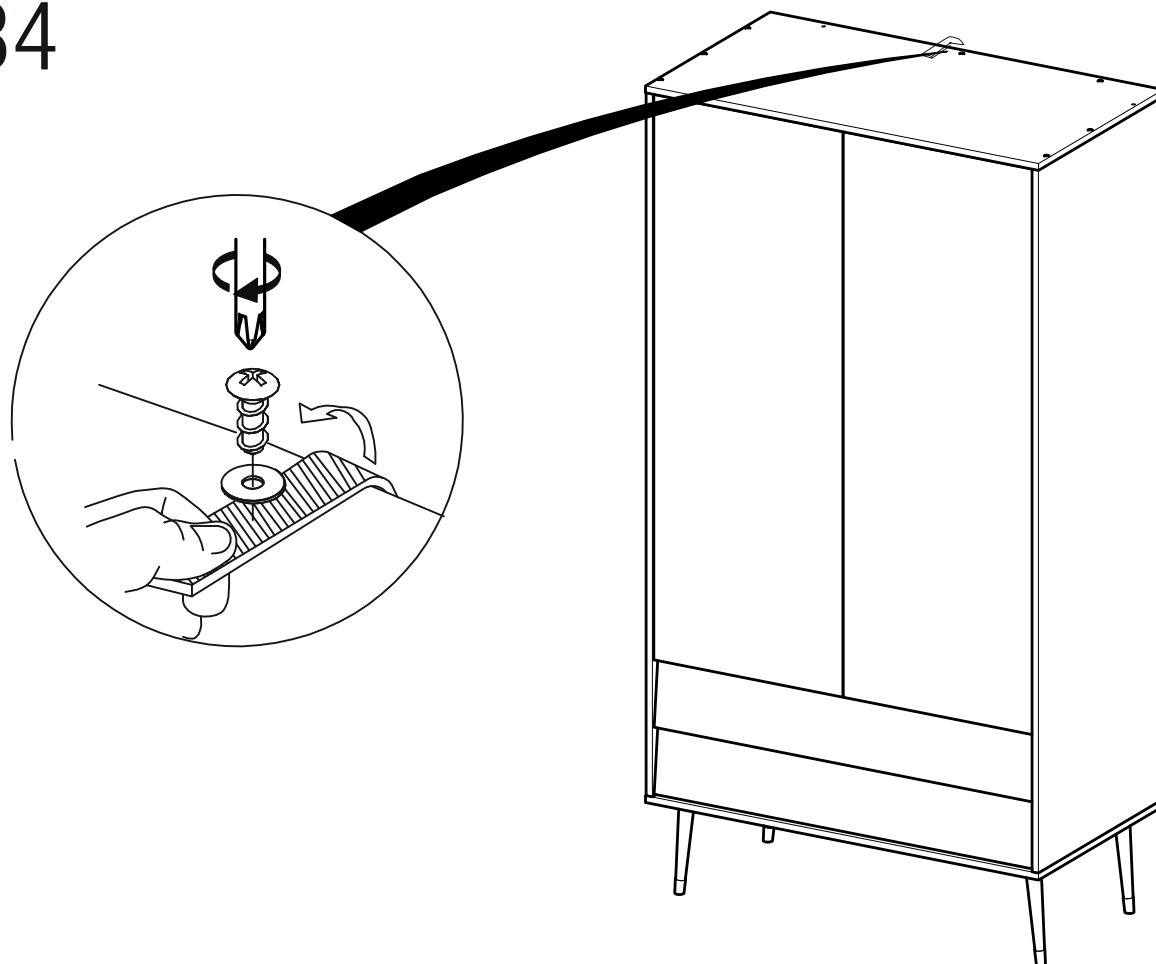
32

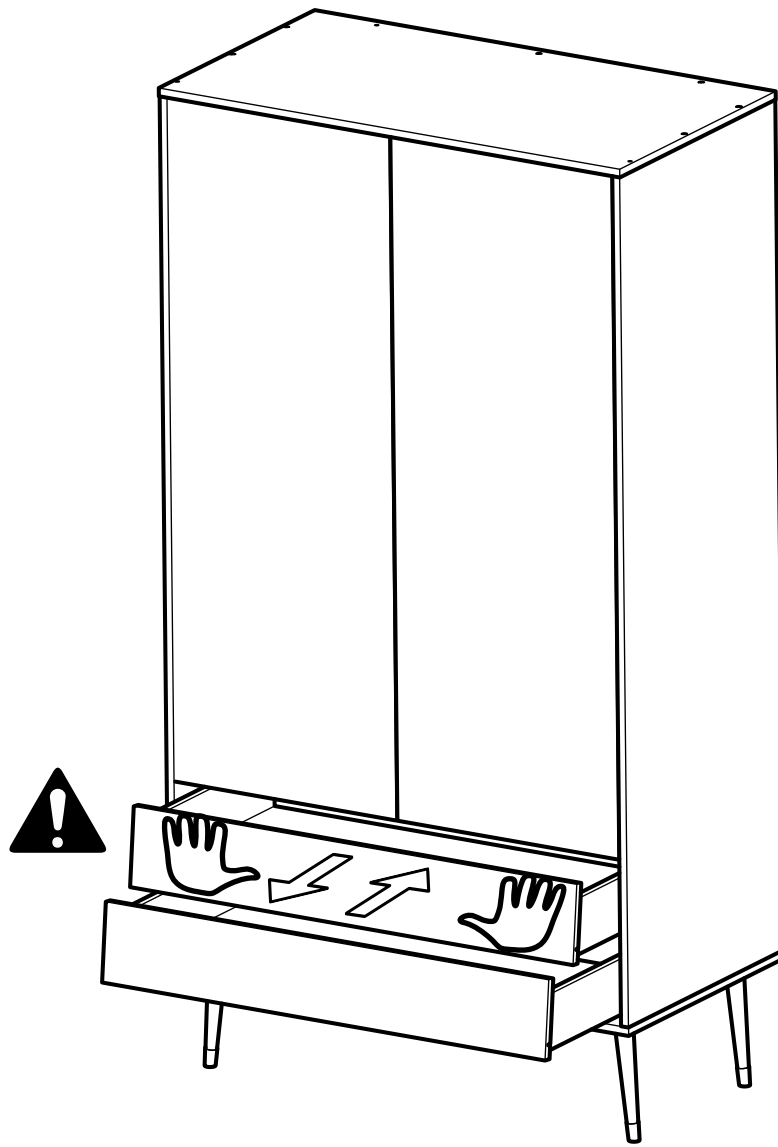



33



34






max 15 kg / 33 lb

